



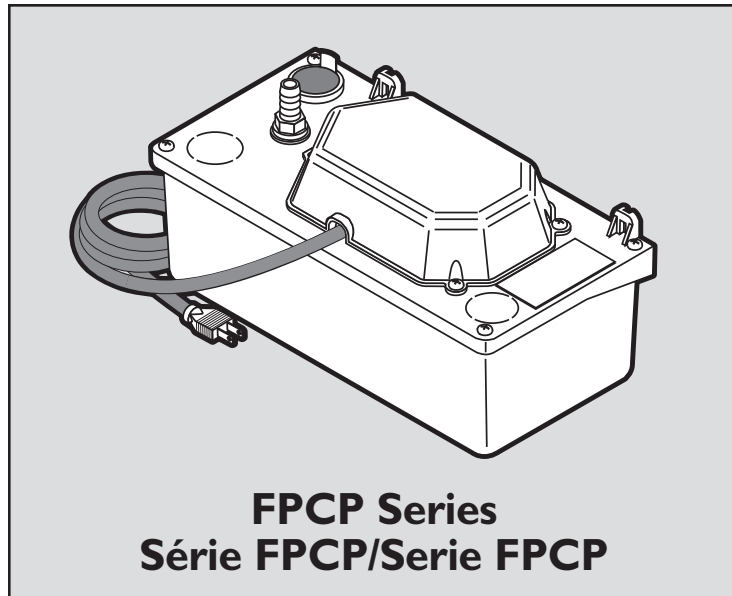
P.O. Box 342, Delavan, WI 53115
Phone: 1-800-365-6832
Fax: 1-800-526-3757
E-Mail: info@flotecwater.com
Web Site: http://www.flotecwater.com

Water
is Our
Business®

OWNER'S MANUAL
Condensate Pumps

NOTICE D'UTILISATION
**Pompes de récupération
des eaux condensées**

MANUAL DEL PROPIETARIO
Bombas de condensado



Installation/Operation/Parts

*For further operating, installation,
or maintenance assistance:*

Call 1-800-365-6832

English Pages 2-6

Installation/Fonctionnement/Pièces

*Pour plus de renseignements
concernant l'utilisation,
l'installation ou l'entretien,*

Composer le 1 (800) 365-6832

Français Pages 7-11

Instalación/Operación/Piezas

*Para mayor información sobre el
funcionamiento, instalación o
mantenimiento de la bomba:*

Llame al 1-800-365-6832

EspañolPaginas 12-16

READ ALL INSTRUCTIONS BEFORE STARTING INSTALLATION

General Safety Information

Electrically powered condensate pumps normally give many years of trouble-free service when correctly installed, maintained, and used. However, unusual circumstances (interruption of power to the pump, algae/debris in the reservoir, electrical or mechanical failure in the pump, etc.), may prevent your pump from functioning normally. Consequently, any condensate pump installed in an area susceptible to water damage must be connected to a failure alarm or water sensing device or include an auxiliary safety shutoff switch activated by high water in the pump reservoir and connected to the thermostat of the furnace/AC unit. See the "Troubleshooting Chart" in this manual for information about common condensate pump problems. For more information, see your dealer or call customer service at 1-800-365-6832.

1. Drain all water from system before servicing.
2. Periodically inspect reservoir, pump, and system components. Keep free of debris and foreign objects. Perform routine maintenance as required.
3. When installing an electrically driven pump, follow all electrical and safety codes that apply.
4. Make certain power source conforms to requirements of your equipment.
5. Protect electrical cord from sharp objects, hot surfaces, oil, and chemicals. Avoid kinking cord. Replace or repair damaged or worn cords immediately.
6. Personal Safety:
 - a. Wear safety glasses at all times when working with pumps.
 - b. Keep work area clean, uncluttered and properly lighted – replace all unused tools and equipment.

ATTACH ORIGINAL RECEIPT HERE FOR WARRANTY CONSIDERATION.

FLOTEC warrants to the original consumer purchaser ("Purchaser") of its products that they are free from defects in material or workmanship. If within twelve (12) months from the date of the original consumer purchase any such product shall prove to be defective, it shall be repaired or replaced at FLOTEC's option, subject to the terms and conditions set forth below. Your original receipt of purchase is required to determine warranty eligibility.

Exceptions to the Twelve (12) Month Warranty

Product	Warranty Period
Drill Pump, Pitcher Pump, In-line Water Filter Cartridge	90 days
1/3 HP Submersible Sump Pumps, INTELLIPUMP (Model FP0S1775A) Back-up Sump Pump System (Model FP2800DCC)	2 Years
4" Submersible Well Pumps, 1/2 HP Submersible Sump Pumps Models FPSC2200A-10 and FPSC2250A-10	3 Years
Pre-Charge Water System Tank, Models FPSC3200A-10 and FPSC3250A-10	5 Years
Floodmate® 7000 (Model FP0S6000A), Ironmate® (Model FPSC4550A) Sewage Ejector (Model FPSE3601A), Pedestal Sump Pump (Model FPPSS5000) Utility Pump (Model FPSC1725X), Submersible Sump Pump (Model FPSC4550A-10)	Lifetime

General Terms and Conditions

Purchaser must pay all labor and shipping charges necessary to replace product covered by this warranty. This warranty shall not apply to acts of God, nor shall it apply to products which, in the sole judgement of FLOTEC, have been subject to negligence, abuse, accident, misapplication, tampering, alteration; nor due to improper installation, operation, maintenance or storage; nor to other than normal application, use or service, including but not limited to, operational failures caused by corrosion, rust or other foreign materials in the system, or operation at pressures in excess of recommended maximums.

Requests for service under this warranty shall be made by returning the defective product to the Retail outlet or to FLOTEC as soon as possible after the discovery of any alleged defect. FLOTEC will subsequently take corrective action as promptly as reasonably possible. No requests for service under this warranty will be accepted if received more than 30 days after the term of the warranty.

This warranty sets forth FLOTEC's sole obligation and purchaser's exclusive remedy for defective products.

FLOTEC SHALL NOT BE LIABLE FOR ANY CONSEQUENTIAL, INCIDENTAL, OR CONTINGENT DAMAGES WHATSOEVER.

THE FOREGOING WARRANTIES ARE EXCLUSIVE AND IN LIEU OF ALL OTHER EXPRESS WARRANTIES. IMPLIED WARRANTIES, INCLUDING BUT NOT LIMITED TO THE IMPLIED WARRANTIES OF MERCHANTABILITY AND FITNESS FOR A PARTICULAR PURPOSE, SHALL NOT EXTEND BEYOND THE DURATION OF THE APPLICABLE EXPRESS WARRANTIES PROVIDED HEREIN.

Some states do not allow the exclusion or limitation of incidental or consequential damages or limitations on how long an implied warranty lasts, so the above limitations or exclusions may not apply to you. This warranty gives you specific legal rights and you may also have other rights which vary from state to state.

FLOTEC • P.O. Box 342 • Delavan, WI U.S.A. 53115
Phone: 1-800-365-6832 • Fax: 1-800-526-3757
E-Mail: info@flotecwater.com • Web Site: <http://www.flotecwater.com>

- c. Keep visitors at a safe distance from work area.
- d. Make workshop child-proof – with padlocks, master switches, and by removing starter keys.

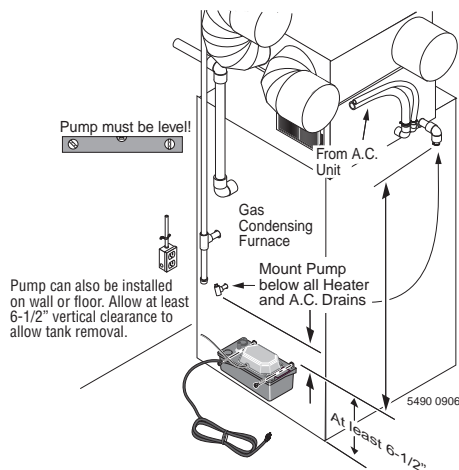
⚠ WARNING Risk of electric shock. If your basement has water or moisture on floor, do not walk on wet area until all power has been turned off. If shut-off box is in basement, call electric company to shut-off service to house, or call your local fire department for instructions. Failure to follow this warning can result in fatal electrical shock.

When pump is plugged in, do not handle pump, cord, or plug with wet hands or when standing on a wet or damp surface or in water. Unplug pump before servicing it or doing any maintenance on it.

⚠ WARNING Fire and explosion hazard. Do not use this pump to pump flammable or explosive liquids. Use pump only with liquids compatible with pump component materials. Do not use pump in explosive atmospheres.

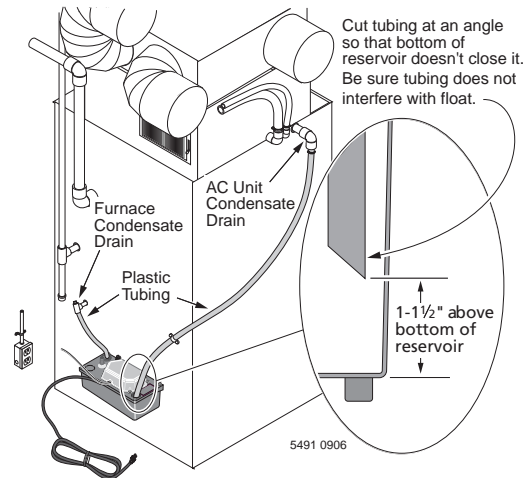
⚠ CAUTION Risk of flooding. If for any reason property damage or personal injury can result from an inoperative or leaking pump, an auxiliary switch backup system and/or an alarm should be installed with pump.

INSTALLATION



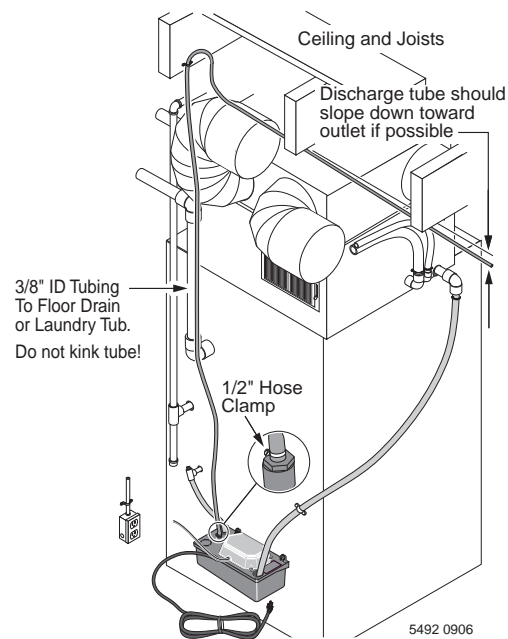
- ① Mount pump on side of furnace (or on floor or wall).

⚠ WARNING Electrical shock and carbon monoxide hazards. When mounting the pump on the side of the furnace, make sure that the mounting holes clear the heat exchanger and all wiring. The mounting screw for the pump should touch only the pump reservoir flange and the exterior sheet metal on the furnace. If in doubt or if this is confusing, consult a qualified HVAC serviceman or the furnace manufacturer.



- ② Run plastic tubing as shown into pump's drain inlet hole(s).

Make sure that the tubing to the pump intake is fastened securely so that it cannot come out of the pump intake port. Check for local code requirements. You must comply with codes.



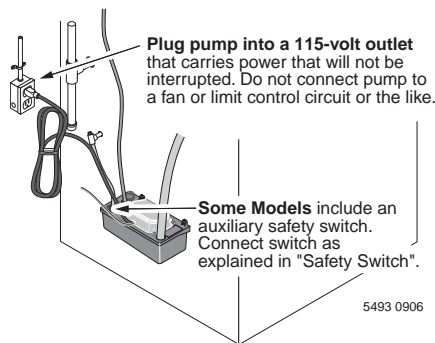
- ③ Run tubing as shown from hose barb on pump discharge to floor drain or laundry tub.

Check local codes for discharge water requirements. Run the discharge line to a point outside the house if possible. To do this easily, you may be able to run the condensate discharge line out through the wall along the AC freon line. Use the existing line if possible (when replacing an existing pump).

Clamping the plastic discharge line to the check valve with a 1/2" hose clamp (purchase separately) will help to keep it in place, especially with older tubing (plastic tubing tends to harden as it gets older).

Common locations for the end of the discharge line are:

- A. Out a window or along the air conditioner freon line to the outdoors.
- B. To a floor drain (leave an air gap between the end of the tube and the drain).
- C. To a laundry tub or sink (leave an air gap above the tub drain).



- 4** **⚠ WARNING** **Hazardous voltage. Plug pump into a 115-volt outlet. Pump is double insulated; grounding is not required.**

With the unit plugged in and the discharge line installed, fill the pump reservoir until the pump starts. Allow it to pump down and shut itself off automatically to verify proper operation through one complete cycle.

Safety Switch:

Most models include an automatic safety switch which should be wired to activate an alarm or to cut off power in the event of high water in the condensate reservoir.

If you must run additional wire from the low voltage safety switch to the alarm or to the control wiring of your furnace/AC unit, use at least 18 gauge (AWG) copper wire rated at 105° C. Make connections with wire nuts as shown.

If your installation allows interruption of heating or cooling, follow procedure 1, below.

If your installation does not allow interruption of heating or cooling, follow procedure 2, "Safety Switch Sounds Alarm".

⚠ WARNING **Risk of electrical shock. Disconnect power to furnace/AC unit and be sure condensate pump is unplugged before starting procedure.**

1. Safety Switch Shuts Down Furnace/AC

- A. Make sure the pump is unplugged.
- B. Find the red wire in the bundle from the thermostat and disconnect it from the furnace/AC unit.
- C. Connect the red wire to one of the white wires from the safety switch as shown in Figure 1.
- D. Connect the other white wire from the switch to the furnace/AC terminal strip where the red wire from the thermostat was connected.
- E. Plug in the pump.
- F. The furnace/AC will now operate as long as the condensate pump empties the reservoir. If the reservoir overfills, the switch will open and cut off the power to the furnace/AC.

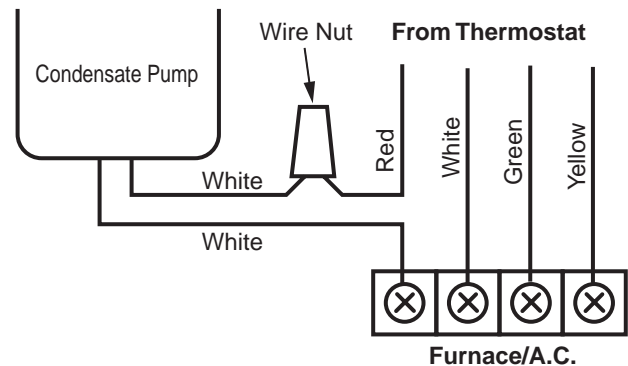


Figure 1: Low Voltage Auxiliary Safety Switch connection for Furnace/AC shutdown installation.

⚠ WARNING **Risk of freezing/overheating.** This installation will shut down the furnace/AC unit if the water level in the pump reservoir rises to within about 1/2" from the top of the reservoir (thereby stopping the production of condensate and preventing flooding), but it will not allow the furnace/AC unit to restart until the condensate pump reservoir is emptied. It should be monitored so that in case of high water in the reservoir, corrective action can be taken before freezing/overheating occurs.

NOTICE: When installing the pump in a new home or after a renovation project, be sure that debris in the duct work does not get into the reservoir; it will clog the system.

2. Safety Switch Sounds Alarm

- A. Make sure the pump is unplugged.
- B. Remove the two screws holding the motor cover to the pump deck. Remove the cover.
- C. Do not disturb the two yellow wires going through the deck and into the motor (they are potted in the top of the motor so there are no wire ends visible).
- D. Remove the white wire from the bottom terminal (NC or Normally Closed) on the end of the safety switch and reattach it to the upper terminal (NO or Normally Open) on the end of the switch.

- E. Run the white switch wires out through the notch in the motor cover and replace the motor cover. Make sure all wires (power cord and safety switch) run through the notch. Hook the cover under the catch on the deck and secure it with two screws.
- F. Connect the white wires from the safety switch to the alarm of your choice (purchase separately). Consult the alarm manufacturer's instructions for correct connections to the alarm.
- G. Plug in the pump.
- H. **▲WARNING Risk of Flooding.** With installation No. 2 ("Safety Switch Sounds Alarm"), the alarm is activated when the water level in the reservoir is within about 1/2" of the top of the reservoir. However, *the furnace/AC unit will continue to produce condensate because the alarm will not shut it down.* Monitor the installation so that in case of high water level in the condensate reservoir you can take action before the reservoir overflows and flooding occurs.

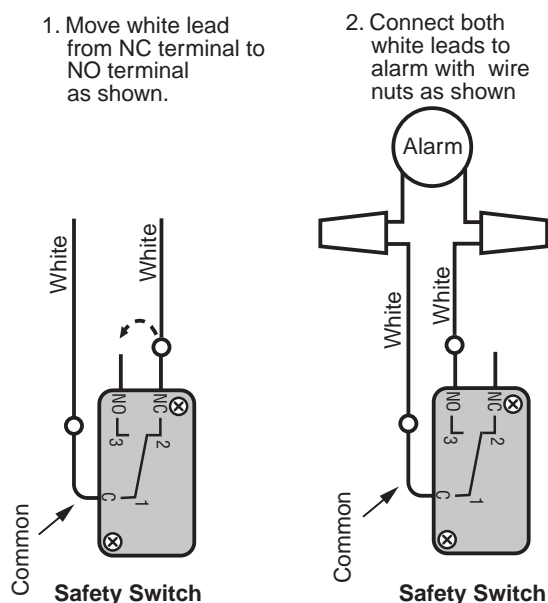


Figure 2: Low Voltage Auxiliary Safety Switch connection for alarm circuit installation (does not shut down furnace/AC unit).

Testing Auxiliary Safety Switch:

NOTICE: Some appliances may not start immediately due to a built-in delay circuit that prevents rapid cycling of the compressor.

1. Start appliance.
2. Unplug the condensate pump so that it cannot pump out.
3. Pour water into the pump reservoir until it is almost full.
4. As the water rises in the reservoir, the safety switch should shut down the appliance or set off the alarm (depending on the installation procedure used).
5. Plug in the condensate pump and allow it to empty the reservoir. As the water level goes down in the reservoir, the safety switch should reset, allowing the appliance to start or shutting off the alarm.

MAINTENANCE

1. Disconnect the power to the furnace/AC unit and unplug the pump.
2. Disconnect the tubing to the pump. Drain the tubing into a container.
3. Remove the two mounting screws and remove the pump from the furnace or wall. Dump the reservoir into a floor drain or container.
4. After you have dumped the pump, remove the four screws securing the reservoir to the pump deck. Lift the deck/pump assembly off of the reservoir.
5. Turn the deck/pump assembly upside down and remove the five screws holding the impeller cover to the motor.
6. Remove the impeller cover. The rotor/ impeller assembly may come out with it. If not, pull it out of the rotor chamber in the motor. (You may have to pull it hard to get it out against the magnetism in the motor windings.)
7. Clean the impeller, rotor, rotor cavity, and O-Ring. Use a rag to clean the O-Ring groove in the impeller cover and the sealing surface on the bottom of the motor block.
8. Clean out the reservoir.
9. Reassemble the impeller and the impeller cover; tighten the screws carefully. Do not overtighten!
10. Turn everything right side up and reassemble the reservoir to the deck. Be sure the impeller cover fits into the molded ring in the bottom of the reservoir. Fasten the reservoir with the four screws at the corners.
11. Reinstall the pump on the furnace.
12. Plug in the pump, fill the reservoir, and run the pump through one complete pump-down cycle to be sure it works correctly.
13. The pump is ready for operation.

CLEANING THE CHECK VALVE

1. Unplug the condensate pump.
2. Remove the discharge line from the check valve.
3. Use a 9/16" wrench to remove the check valve from the pump deck.
4. Inspect the valve for obstructions or damage. Clean or replace it as needed.
5. Thread the valve back into the pump discharge by hand, plus 1/2 turn with the wrench.
NOTICE: Don't overtighten the valve, as overtightening can distort the O-Ring that seals the valve, causing leaks.
6. Plug in the pump, fill the reservoir, and run the pump through one complete pump-down cycle to be sure it works correctly.
7. The pump is ready for operation.

TROUBLESHOOTING

Pump does not run

- Check power to furnace/AC and to pump circuit. Be sure pump is plugged in.
- Condensate level in reservoir may not be high enough to start pump. (Water must be 2" below the top of the reservoir for pump to start.)
- Dirt or algae clogging reservoir.
- Inlet line clogged.
- Stuck float resulting from dirty reservoir.
- Make sure that float switch is not stuck in the down (off) position.

Pump runs, no discharge

- Make sure the discharge tubing (especially the end of the tubing) is not plugged.
- UNPLUG pump and make sure check valve and impeller discharge port are not plugged.
- Make sure the float switch is not stuck in the on (up) position.

PREVENTIVE MAINTENANCE

Unplug the pump and clean out the reservoir at the beginning and end of each heating season. Use a commercial algaecide and follow manufacturer's instructions.

Putting about a gallon of algaecide solution in the reservoir and then cycling the pump several times will keep the reservoir and the discharge line free of algae build-up.

Be sure to dump the cleaner and rinse the reservoir with water before starting the pump.

Be sure you do not clog the impeller discharge port or the check valve when starting the pump after cleaning.

Whenever you replace the motor cover and screws, be sure that the motor cover catches the float switch pivot pin and does not pinch either the power cord or the safety switch leads. Do not over-tighten the screws.

SERVICING A DOUBLE-INSULATED APPLIANCE

A double insulated product uses two layers of insulation (one inside the other) to provide protection from electrical shock hazards. No separate grounding wire is required. DO NOT try to install a grounding wire on a double-insulated device.

Only qualified service personnel should attempt to service a double-insulated product, because safe servicing requires extreme care and knowledge of the system. Any replacement parts installed in a double-insulated product must be identical to the original parts that they replaced.

A double insulated product is marked with the words "DOUBLE INSULATION" or "DOUBLE INSULATED".

LIRE TOUTES CES CONSIGNES DE SÉCURITÉ AVANT DE PROCÉDER À L'INSTALLATION

Consignes de sécurité générales

Normalement, lorsqu'elles sont bien installées, entretenues et utilisées, les électropompes de récupération des eaux condensées fonctionnent pendant de nombreuses années sans ennui. Toutefois, des circonstances inhabituelles (panne de courant alimentant la pompe, algues ou débris dans le réservoir, panne électrique ou mécanique de la pompe, etc.), peuvent empêcher la pompe de fonctionner normalement. C'est pour cette raison que toutes les pompes de récupération des eaux condensées installées dans une zone pouvant subir des dégâts d'eau doivent être raccordées à une alarme de panne, à un dispositif de détection d'eau ou à un dispositif auxiliaire d'arrêt d'urgence actionné dès que le niveau d'eau dans le réservoir de la pompe monte trop haut. Ce dispositif doit être raccordé au thermostat de l'ensemble appareil de chauffage central et climatiseur. Pour tout renseignement concernant les problèmes courants avec une pompe de récupération des eaux condensées, se reporter au « Tableau de recherche des pannes » de cette Notice. Pour de plus amples renseignements, s'adresser au marchand ou appeler le Service à la clientèle au 800 365-6832.

1. Avant d'intervenir sur une pompe de récupération des eaux condensées, vider toute l'eau qu'elle contient.
2. Périodiquement, inspecter le réservoir, la pompe et leurs composants. Les débarrasser des débris et corps étrangers. Procéder à un entretien périodique.
3. Pour installer une électropompe, respecter tous les codes de sécurité et de l'électricité en vigueur.
4. S'assurer que la tension du courant alimentant la pompe est conforme à celle de la pompe.
5. Le cordon électrique ne doit pas venir en contact avec des objets tranchants, des surfaces chaudes, de l'huile et des produits chimiques. Ne pas pincer le cordon électrique. Le remplacer ou le réparer immédiatement s'il est endommagé ou usé.
6. Sécurité personnelle :
 - a. Toujours porter des lunettes de sécurité lorsque l'on intervient sur une pompe.
 - b. Garder la zone de travail propre, non encombrée et bien éclairée – enlever tous les outils et tout l'équipement non utilisés.

ATTACHER LE REÇU D'ORIGINE ICI À DES FINS DE GARANTIE.

FLOTEC garantit à l'acheteur-utilisateur initial de ses produits ("Acheteur") contre tout défaut de fabrication et de matériaux.

Tout produit reconnu défectueux dans les douze (12) mois qui suivent la date d'achat d'origine sera remplacé ou réparé à la discrétion de FLOTEC, selon les conditions stipulées ci-dessous. La preuve d'achat est exigée pour déterminer l'admissibilité à la garantie.

Exceptions à la garantie de douze (12) mois

Produits	Période de garantie
Pompe adaptable sur perceuse, pompe d'amorçage, cartouche de filtre à eau en ligne	90 jours
Pompes submersibles de puisard INTELLIPUMP de 1/3 ch (Modèle FP0S1775A) Système de pompage de secours de puisard de soutien (Modèle FP2800DCC)	2 ans
Pompes submersibles pour puits de 4 pouces Pompes submersibles de puisard de 1/2 ch Modèles FPSC2200A-10 et FPSC2250A-10	3 ans
Réservoirs préchargés de système d'eau Modèles FPSC3200A-10 et FPSC3250A-10	5 ans
Floomate® 7000 (Modèle FP0S6000A), Ironmate® (Modèle FPSC4550A) Éjecteur d'eaux d'égout (Modèle FPSE3601A), Pompe sur colonne de puisard (Modèle FPPSS5000) Pompe à usage général (Modèle FPSC1725X), Pompe submersible de puisard (Modèle FPSC4550A-10)	À vie

Conditions générales

L'Acheteur s'engage à payer tous les frais de main-d'œuvre et d'expédition nécessaires au remplacement du produit couvert par la garantie. Cette garantie ne couvrira pas les cas de force majeure, et ne s'appliquera pas aux produits qui, du seul avis de FLOTEC, ont fait l'objet de négligence, d'utilisation abusive ou incorrecte, d'accident, de modification ou d'altération ; ni aux produits qui n'ont pas été installés, utilisés, entreposés ou entretenus correctement ; ni à ceux qui n'ont pas été utilisés ou entretenus normalement, y compris, mais sans s'y limiter, aux produits ayant des pannes de fonctionnement causées par la corrosion, la rouille ou autre corps étranger dans le système, ou à des produits ayant fonctionné à des pressions dépassant la limite maximale recommandée.

Les demandes de service en vertu de la présente garantie seront faites en retournant le produit défectueux au détaillant ou à FLOTEC dès la découverte de tout défaut allégué. FLOTEC prendra alors les mesures correctives aussi rapidement qu'il est raisonnablement possible. Aucune demande de service en vertu de la présente garantie ne sera acceptée si elle est reçue plus de 30 jours après l'expiration de la dite garantie.

La présente garantie énonce la totalité des obligations de FLOTEC et le seul recours possible de l'Acheteur dans le cas de produits défectueux.

FLOTEC NE SERA TENU RESPONSABLE D'AUCUN DOMMAGE INDIRECT, ACCIDENTEL OU FORTUIT QUEL QU'IL SOIT.

LES PRÉSENTES GARANTIES SONT EXCLUSIVES ET TIENNENT LIEU DE TOUTE AUTRE GARANTIE EXPRESSE. LES GARANTIES IMPLICITES, Y COMPRIS, MAIS SANS S'Y LIMITER, LES GARANTIES IMPLICITES AYANT TRAIT À LA COMMERCIALITÉ ET À L'ADAPTATION À UN USAGE PARTICULIER, NE DÉPASSERONT PAS LA DURÉE DES GARANTIES EXPRESSES APPLICABLES STIPULÉES DANS LES PRÉSENTES.

Certaines provinces n'autorisent pas d'exclure ou de limiter les dommages fortuits ou indirects ou de limiter la durée d'une garantie implicite ; il se peut donc que les limitations ou exclusions ci-dessus ne s'appliquent pas à votre cas. La présente garantie vous donne des droits juridiques spécifiques et vous pouvez en avoir d'autres qui varient d'une province à l'autre.

FLOTEC • P.O. Box 342 • Delavan, WI U.S.A. 53115
Téléphone: 1-800-365-6832 • Télécopieur: 1-800-526-3757
Courrier électronique: info@flotecwater.com • Site Web: <http://www.flotecwater.com>

- c. Garder les visiteurs à une distance sécuritaire de la zone de travail.
- d. Empêcher les enfants de pénétrer dans les ateliers en posant des cadenas, des disjoncteurs ou en retirant toutes les clés de mise en marche.

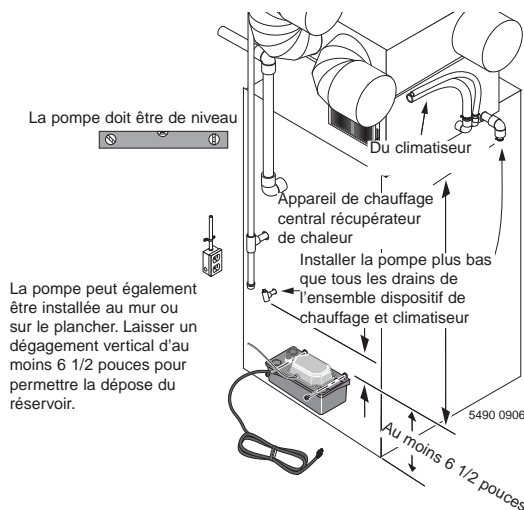
⚠ AVERTISSEMENT Risques de secousses électriques. Si le plancher du sous-sol est humide ou recouvert d'eau, ne pas marcher dessus tant que le courant n'aura pas été coupé. Si la boîte des disjoncteurs se trouve au sous-sol, appeler la compagnie d'électricité pour lui demander de couper le branchement de l'habitation ou appeler le service des incendies de la municipalité. Si on ne respecte pas cet avertissement, on risque d'être mortellement électrocuté.

Ne pas manipuler la pompe, son cordon électrique ni la fiche si la pompe est branchée, si on a les mains humides ou si on se tient sur une surface humide ou recouverte d'eau. Avant d'intervenir sur la pompe pour la réparer ou l'entretenir, la débrancher de la prise de courant.

⚠ AVERTISSEMENT Risque d'incendie et d'explosion. Avec cette pompe, ne pas pomper de liquides inflammables ou explosifs. Ne pomper que des liquides compatibles avec les matériaux qui la composent. Ne pas utiliser cette pompe dans une atmosphère explosive.

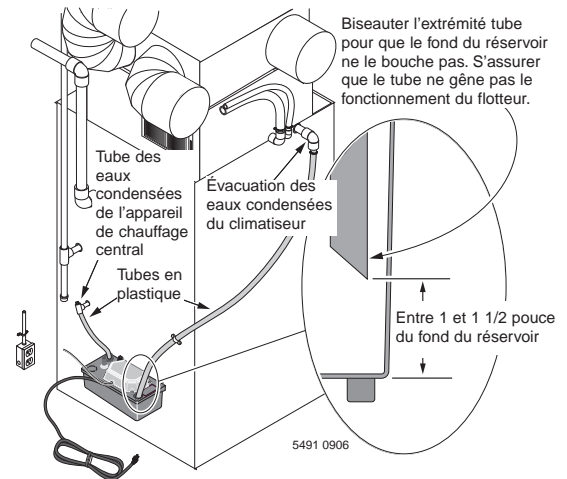
⚠ ATTENTION Risque d'inondation. Pour plus de sécurité au cas où la propriété risquerait de subir des dommages matériels ou si on risquerait d'être blessé au cas où la pompe tomberait en panne ou venait à fuir, la brancher sur un dispositif de secours à disjoncteur ou sur une alarme.

INSTALLATION



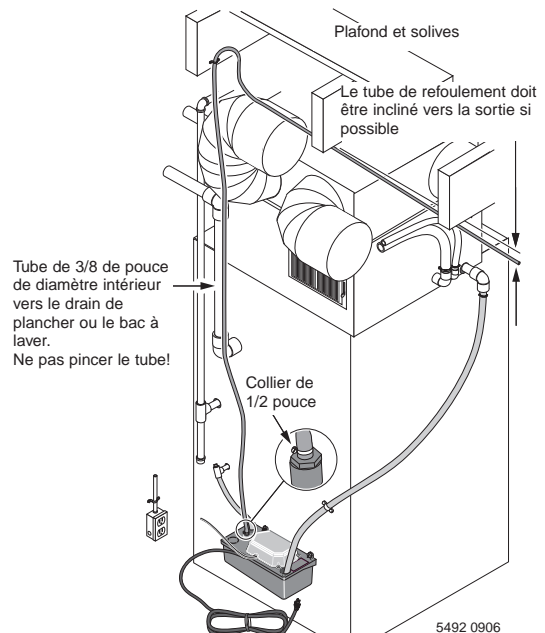
① Monter la pompe sur le côté de l'appareil de chauffage central (plancher ou mur).

⚠ AVERTISSEMENT Risque de secousses électriques et de monoxyde de carbone. Lorsque l'on monte la pompe sur le côté de l'appareil de chauffage central, s'assurer que les trous de fixation ne perforent pas l'échangeur de chaleur ni le câblage. Les vis de fixation de la pompe ne doivent toucher que la bride du réservoir de la pompe et la tôle extérieure de l'appareil de chauffage central. En cas de doutes, s'adresser à un préposé à l'entretien en appareils de chauffage, ventilation et climatisation ou au fabricant de l'appareil de chauffage central.



② Brancher les tubes en plastique dans le ou les trous d'arrivée de la pompe, comme il est illustré.

S'assurer que les tubes sont bien retenus dans les arrivées de la pompe et qu'ils ne peuvent pas en sortir. Consulter les codes de la localité et s'y conformer.



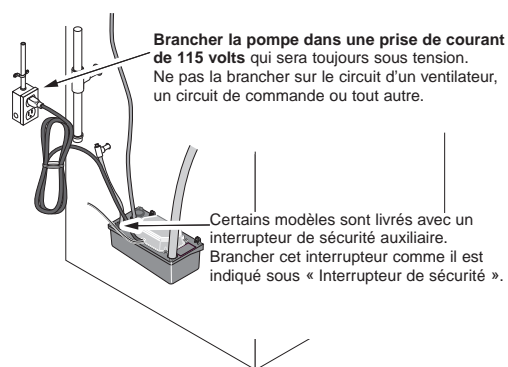
③ Brancher le tube de refoulement sur le raccord cannelé de la pompe et l'amener jusqu'au drain de plancher ou bac à laver, comme il est illustré.

Consulter les codes de la municipalité pour évacuer l'eau. Si possible, faire passer la conduite de refoulement le long de la conduite de fréon du climatiseur et la faire sortir à l'extérieur de l'habitation. Dans la mesure du possible, utiliser la conduite de refoulement existante (si on remplace une pompe existante).

Immobiliser le tube de refoulement en plastique sur le clapet antiretour avec un collier de 1/2 pouce (à acheter séparément), surtout si le tube n'est pas neuf (avec le temps, les tubes en plastique ont tendance à durcir).

Principaux emplacements de sortie d'une conduite de refoulement :

- À l'extérieur d'une fenêtre ou le long de la conduite de fréon du climatiseur jusqu'à l'extérieur.
- Un drain de plancher (laisser un espace entre l'extrémité du tube et le drain).
- Un bac à laver ou un évier (laisser un espace au-dessus du drain du bac à laver).



- 4** **⚠ AVERTISSEMENT** **Tension dangereuse. Brancher la pompe dans une prise de courant de 115 volts. La pompe est à double isolation. Une mise à la terre n'est pas requise.**

Une fois la pompe branchée et la conduite de refoulement installée, remplir le réservoir jusqu'à ce que la pompe démarre. S'assurer qu'elle vide le réservoir et qu'elle s'arrête automatiquement pour confirmer son bon fonctionnement.

Interrupteur de sécurité

La plupart des modèles sont livrés avec un interrupteur de sécurité à fonctionnement automatique qui doit être câblé pour actionner une alarme ou couper le courant au cas où le niveau d'eau monterait trop haut dans le réservoir des condensats.

Si on doit brancher un interrupteur de sécurité basse tension sur une alarme ou le câblage de commande de l'ensemble appareil de chauffage central et climatiseur, utiliser du fil de cuivre d'un calibre n° 18 AWG minimum classé pour une température ambiante de 105 °C. Se reporter à l'illustration pour raccorder les fils avec des connecteurs.

Si l'installation permet d'arrêter l'ensemble appareil de chauffage et climatisation, procéder comme il est indiqué à la rubrique 1 qui suit.

Si l'installation ne permet pas un tel arrêt, procéder comme il est indiqué à la rubrique 2 « L'interrupteur de sécurité fait retentir l'alarme ».

⚠ AVERTISSEMENT **Risque de secousses électriques. Avant de continuer, couper le courant alimentant l'ensemble appareil de chauffage central et climatiseur et s'assurer que la pompe de récupération des eaux condensées est débranchée de la prise de courant.**

1. L'interrupteur de sécurité arrête le fonctionnement de la fournaise/climatiseur

- S'assurer que la pompe est débranchée.
- Repérer le fil rouge de l'ensemble des fils du thermostat, puis le débrancher côté fournaise/climatiseur.
- Brancher ce fil rouge sur un des fils blancs de l'interrupteur de sécurité, comme il est illustré à la Figure 1.
- Brancher l'autre fil blanc de l'interrupteur sur la borne de la fournaise/du climatiseur, là où le fil rouge du thermostat était branché.
- Rebrancher la pompe.
- La fournaise/climatiseur fonctionnera maintenant à condition que la pompe de condensats vide le réservoir. Si le réservoir déborde, l'interrupteur s'ouvrira et coupera le courant alimentant la fournaise/climatiseur.

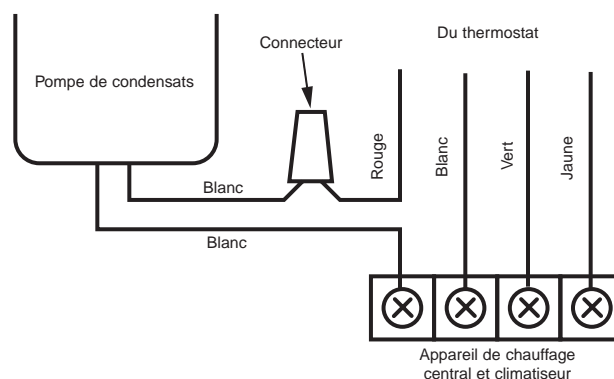


Figure 1 : Branchement de l'interrupteur de sécurité auxiliaire basse tension si on peut arrêter l'ensemble appareil de chauffage central et climatiseur.

⚠ AVERTISSEMENT **Risque de gel ou de surchauffe.** Cette installation arrêtera le fonctionnement de l'ensemble appareil de chauffage central et climatiseur si le niveau de l'eau dans le réservoir de la pompe s'élève jusqu'à 1/2 pouce du haut du réservoir (pour empêcher la production d'eaux condensées et une inondation), mais ne permettra pas à l'ensemble appareil de chauffage central et climatiseur de redémarrer tant que le réservoir de récupération des eaux condensées ne sera pas vide. Si le niveau de l'eau dans le réservoir devait monter trop haut, des mesures correctives devront être prises avant que l'ensemble gèle ou surchauffe.

REMARQUE : Lorsque l'on installe une telle pompe dans une habitation neuve ou après un projet de rénovation, s'assurer que les débris ayant pu tomber dans les conduits de l'ensemble appareil de chauffage et climatiseur ne tombent pas dans le réservoir, sinon la pompe se bouchera.

2. L'interrupteur de sécurité fait retentir l'alarme

- S'assurer que la pompe est débranchée.
- Déposer les deux vis de fixation du couvercle du moteur sur les corps de la pompe. Déposer le couvercle.
- Ne pas déranger les deux fils jaunes traversant le corps de la pompe et le moteur (ils sont logés en haut du moteur; aucune extrémité des fils n'est donc visible).
- Débrancher le fil blanc de la borne inférieure (NC ou normalement fermée) côté interrupteur de sécurité, puis le brancher sur la borne supérieure (NO ou normalement ouverte) côté interrupteur.

- E. Faire passer les fils blancs de l'interrupteur dans l'encoche du couvercle du moteur, puis reposer le couvercle du moteur. S'assurer que tous les fils (cordon électrique et fils de l'interrupteur de sécurité) passent dans l'encoche. Accrocher le couvercle sous le cran du corps de la pompe, puis le faire tenir avec les vis.
- F. Brancher les deux fils de l'interrupteur de sécurité sur l'alarme de son choix (à acheter séparément). Se reporter aux instructions du fabricant de l'alarme pour les connexions.
- G. Rebrancher la pompe.

H. **⚠ AVERTISSEMENT** **Risque d'inondation.** Avec l'installation numéro 2 (« L'interrupteur de sécurité fait retentir l'alarme »), l'alarme est actionnée dès que le niveau dans le réservoir arrive à environ 1/2 pouce du haut du réservoir. Toutefois, la fournaise/climatiseur continuera de produire des condensats étant donné que l'alarme ne l'arrêtera pas. Surveiller l'installation de façon à pouvoir intervenir si le niveau de l'eau devait monter trop haut dans le réservoir des condensats, car il risquerait de déborder et causer une inondation.

1. Débrancher le fil blanc de la borne NF et le brancher sur la borne NO, comme il est illustré.

2. Brancher les deux fils blanc sur l'alarme avec les connecteurs, comme il est illustré.

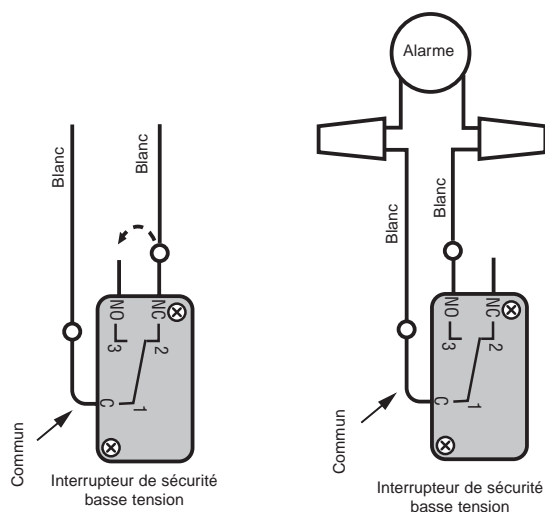


Figure 2 : Branchement d'un interrupteur de sécurité auxiliaire basse tension sur un circuit d'alarme (n'arrêtera pas l'ensemble appareil de chauffage central et climatiseur).

Contrôle de l'interrupteur de sécurité auxiliaire :

REMARQUE : Certains appareils électroménagers peuvent ne pas démarrer immédiatement s'ils sont équipés d'un circuit temporisé incorporé empêchant le fonctionnement rapide du compresseur.

1. Démarrer l'appareil électroménager.
2. Débrancher la pompe pour l'empêcher de fonctionner.
3. Verser de l'eau dans le réservoir de la pompe jusqu'à ce qu'il soit presque plein.
4. Au fur et à mesure que le niveau d'eau monte dans le réservoir, l'interrupteur de sécurité doit arrêter l'appareil électroménager ou déclencher l'alarme (en fonction de l'installation).
5. Rebrancher la pompe et la laisser vider le réservoir. Dès que le niveau d'eau est assez bas dans le réservoir, l'interrupteur de sécurité doit s'enclencher et l'appareil électroménager doit démarrer et arrêter l'alarme.

ENTRETIEN

1. Couper le courant alimentant l'ensemble fournaise/climatiseur, puis débrancher la pompe.
2. Débrancher les tubes de la pompe. Les vider dans un contenant.
3. Déposer les deux vis de fixation, puis déposer la pompe de la fournaise ou du mur. Vider le réservoir dans un drain de plancher ou un contenant.
4. Après avoir vidé la pompe, déposer les quatre vis de fixation du réservoir sur le corps de la pompe. Sortir l'ensemble pompe et corps du réservoir.
5. Tourner l'ensemble pompe et corps à l'envers, puis déposer les cinq vis de fixation du couvercle de l'impulseur sur le moteur.
6. Déposer le couvercle de l'impulseur. Il se peut que l'ensemble rotor/impulseur sorte avec le couvercle. Sinon, le sortir de la chambre du rotor logée dans le moteur. (Il faudra peut-être tirer fermement dessus, car le magnétisme des enroulements du moteur le retiendra.)
7. Nettoyer l'impulseur, le rotor, la cavité du rotor et le joint torique. À l'aide d'un chiffon, nettoyer la gorge du joint torique pratiquée dans le couvercle de l'impulseur ainsi que la surface d'étanchéité de la partie inférieure du bloc-moteur.
8. Nettoyer le réservoir.
9. Remonter l'impulseur et son couvercle; serrer prudemment les vis. Ne pas les serrer exagérément!
10. Tourner le tout à l'endroit, puis remonter le réservoir sur le corps. S'assurer que le couvercle du réservoir s'adapte dans la bague moulée de la partie inférieure du réservoir. Poser une vis dans chaque angle du réservoir pour le fixer.
11. Reposer la pompe sur la fournaise.
12. Rebrancher la pompe. Remplir le réservoir, puis faire faire un cycle complet à la pompe jusqu'à ce qu'elle s'arrête pour s'assurer qu'elle fonctionne adéquatement.
13. La pompe est maintenant prête à fonctionner.

NETTOYAGE DU CLAPET ANTIRETOUR

1. Débrancher la pompe de condensats.
2. Débrancher la conduite de refoulement côté clapet antiretour.
3. À l'aide d'une clé de 9/16 de pouce, déposer le clapet antiretour du corps de la pompe.
4. Inspecter le clapet pour s'assurer qu'il n'est pas obstrué ni endommagé. Au besoin, le nettoyer ou le remplacer.
5. À la main, revisser le clapet dans le refoulement de la pompe, puis le serrer de 1/2 tour de plus avec une clé.

REMARQUE : Ne pas serrer exagérément le clapet, sinon le joint torique risque de se déformer et de fuir.

6. Rebrancher la pompe. Remplir le réservoir, puis faire faire un cycle complet à la pompe jusqu'à ce qu'elle s'arrête pour s'assurer qu'elle fonctionne adéquatement.
7. La pompe est maintenant prête à fonctionner.

RECHERCHE DES PANNES

La pompe ne fonctionne pas

- Vérifier le courant alimentant le circuit de l'ensemble appareil de chauffage central et climatiseur et de la pompe. S'assurer que la pompe est branchée.
- Le niveau de l'eau dans le réservoir n'est peut-être pas suffisamment haut pour que la pompe démarre. (Le niveau d'eau doit arriver à 5 cm (2 pouces) du haut du réservoir).
- De la saleté ou des algues bouchent le réservoir.
- La conduite d'aspiration est bouchée.
- Le flotteur est coincé par des saletés dans le réservoir.
- S'assurer que l'interrupteur à flotteur n'est pas coincé en position basse (arrêt).

La pompe fonctionne, mais l'eau ne circule pas dans la conduite de refoulement

- S'assurer que le tube de refoulement (surtout son extrémité) n'est pas bouché.
- DÉBRANCHER la pompe et s'assurer que le clapet et que l'orifice de refoulement de la roue ne sont pas obstrués.
- S'assurer que le flotteur n'est pas coincé en position marche (haute).

ENTRETIEN PRÉVENTIF

Débrancher la pompe et nettoyer le réservoir au début et à la fin de chaque saison de chauffage. Utiliser un algicide commercial et suivre le mode d'emploi du fabricant.

Verser environ quatre litres de solution algicide dans le réservoir, puis faire fonctionner la pompe sur plusieurs cycles pour débarrasser le réservoir et la conduite de refoulement des algues.

Ne pas oublier de vider le nettoyeur et de rincer le réservoir à l'eau claire avant de redémarrer la pompe.

Faire bien attention de ne pas boucher l'orifice de refoulement de la roue et du clapet lorsqu'on redémarre la pompe après le nettoyage.

Chaque fois que l'on repose le couvercle du moteur et les vis, s'assurer que le couvercle du moteur retient l'axe de pivotement de l'interrupteur à flotteur et qu'il ne pince pas le cordon électrique ni les fils de l'interrupteur de sécurité. Ne pas serrer exagérément les vis.

ENTRETIEN D'UN APPAREIL À DOUBLE ISOLATION

Deux couches d'isolant sont utilisées sur un produit à double isolation (une à l'intérieur de l'autre) pour le protéger contre les risques de secousses électriques. Aucun fil de mise à la terre séparé n'est requis. NE PAS essayer d'installer un fil de mise à la terre sur un produit à double isolation.

Pour entretenir un produit à double isolation, seul du personnel qualifié est autorisé à le faire, étant donné qu'une très grande prudence doit être exercée et que de très bonnes compétences sont requises. Si une pièce doit être remplacée sur un produit à double isolation, la pièce de rechange doit être identique à la pièce à remplacer.

Un produit à double isolation porte la mention « DOUBLE INSULATION » ou « DOUBLE INSULATED »

LEA TODAS LAS INSTRUCCIONES ANTES DE COMENZAR LA INSTALACIÓN

Información general sobre la seguridad

Las bombas de condensado de accionamiento eléctrico generalmente brindan muchos años de servicio sin problemas si se han instalado, mantenido y usado en forma correcta. Sin embargo, circunstancias inusuales (interrupción de corriente a la bomba, algas/escombros en el tanque, fallas eléctricas o mecánicas en la bomba, etc.) pueden evitar que su bomba funcione normalmente. Como consecuencia, toda bomba de condensado que se instale en una zona sujeta a la posibilidad de daños causados por agua, se debe conectar a una alarma de fallas o a un dispositivo detector de agua, o debe incluir un conmutador auxiliar de cierre de seguridad, activado por un nivel alto de agua en el tanque de la bomba y conectado al termostato de la caldera/unidad de corriente alterna. Consulte la "Tabla de Localización de Fallas" en este manual para obtener información sobre los problemas comunes con las bombas de condensado. Para más información, consulte a su representante o llame al servicio al cliente, 1-800-365-6832.

1. Drene toda el agua del sistema antes de realizar trabajos de reparación.
2. Periódicamente, inspeccione el tanque, la bomba y los componentes del sistema. Manténgalos libres de escombros y objetos foráneos. Realice el mantenimiento de rutina que se requiera.
3. Cuando instale una bomba de accionamiento eléctrico, siga todas las normas eléctricas y de seguridad que correspondan.
4. Asegúrese de que la fuente de corriente se adapte a los requisitos de su equipo.
5. Proteja el cordón eléctrico contra objetos filosos, superficies calientes, aceite y sustancias químicas. Evite retorcer el cordón. Cambie o repare todo cordón dañado o gastado inmediatamente.
6. Seguridad personal:
 - a. Use gafas de seguridad en todo momento cuando trabaje con las bombas.
 - b. Mantenga la zona de trabajo limpia, ordenada y debidamente iluminada – vuelva a colocar toda herramienta o equipo que no se use, en su lugar.

ADHIERA AQUÍ EL RECIBO ORIGINAL PARA VALIDACION DE GARANTÍA

FLOTEC garantiza al comprador consumidor original ("Comprador") de sus productos, que éstos se encuentran libres de defectos de material o mano de obra. Si dentro de los doce (12) meses de la fecha original de la compra cualquiera de los productos demostrara estar defectuoso, el mismo será reparado o reemplazado, a opción de FLOTEC con sujeción a los términos y condiciones expuestos a continuación. Se requiere su recibo original de compra para determinar si se encuentra bajo garantía.

Excepciones a la Garantía por Doce (12) Meses

Producto	Período de garantía
Bomba a taladro, Bomba a émbolo, Cartucho del filtro de agua en línea	90 días
Bombas de sumidero sumergibles INTELLIPUMP de 1/3 HP (Modelo FP0S1775A) Sistema de bomba de sumidero de respaldo (Modelo FP2800DCC)	2 años
Bombas de pozo sumergibles de 4" Bombas de sumidero sumergibles de 1/2 HP Modelos FPSC2200A-10 y FPSC2250A-10	3 años
Tanque precargado del sistema de agua Modelos FPSC3200A-10 y FPSC3250A-10	5 años
Floodmate® 7000 (Modelo FP0S6000A) Ironmate® (Modelo FPSC4550A) Eyector de aguas residuales (Modelo FPSE3601A) Bomba de pedestal para sumidero (Modelo FPPSS5000) Bomba para uso general (Modelo FPSC1725X) Bomba de sumidero sumergible (Modelo FPSC4550A-10)	De por vida

Términos y Condiciones Generales

El comprador debe pagar todos los gastos de mano de obra y transporte necesarios para reemplazar el producto cubierto por esta garantía. Esta garantía no se aplicará a hechos de fuerza mayor, ni se aplicará a los productos que, a juicio exclusivo de FLOTEC, hayan sido objeto de negligencia, abuso, accidente, aplicaciones contraindicadas, manejo indebido, alteraciones; ni debido a instalación, funcionamiento, mantenimiento o almacenaje incorrectos; ni a ninguna otra cosa que no sea su aplicación, uso o servicio normales, incluyendo, pero no limitado a, fallas operacionales causadas por corrosión, oxidación u otros elementos extraños en el sistema, o funcionamiento a presión por encima del máximo recomendado.

Los pedidos de servicio bajo los términos de esta garantía serán efectuados mediante la devolución del producto defectuoso al Vendedor o a FLOTEC, tan pronto como sea posible, después de localizado cualquier supuesto defecto. FLOTEC tomará luego acción correctiva, tan pronto como sea razonablemente posible. Ningún pedido de servicio bajo esta garantía será aceptado si se recibe más de 30 días después del término de la garantía.

Esta garantía establece la obligación única de FLOTEC y el remedio exclusivo del comprador en el caso de productos defectuosos.

FLOTEC NO SERÁ RESPONSABLE POR NINGÚN DAÑO CONSECUENTE, INCIDENTAL O CONTINGENTE DE NINGUNA NATURALEZA.

LAS GARANTÍAS ANTERIORES SON EXCLUSIVAS Y REEMPLAZAN CUALESQUIERA OTRAS GARANTÍAS EXPRESAS. LAS GARANTÍAS IMPLÍCITAS, INCLUYENDO, PERO NO LIMITADAS A, LAS GARANTÍAS IMPLÍCITAS DE COMERCIABILIDAD Y APTITUD PARA UN PROPÓSITO EN PARTICULAR, NO DEBERÁN EXCEDER EL PERÍODO DE DURACIÓN DE LAS GARANTÍAS EXPRESAS APLICABLES AQUÍ PROVISTAS.

Algunos estados no permiten la exclusión o limitación de daños incidentales o consecuentes ni las limitaciones respecto a la duración de garantías implícitas; de modo que las limitaciones o exclusiones precedentes pueden no aplicarse en su caso. Esta garantía le concede derechos legales específicos. Usted puede tener, además, otros derechos que varían de un estado a otro.

FLOTEC • P.O. Box 342 • Delavan, WI U.S.A. 53115

Teléfono: 1-800-365-6832 • Fax: 1-800-526-3757

e-Mail (correo electrónico): info@flotecwater.com • Dirección web: <http://www.flotecwater.com>

- c. Mantenga a los visitantes a una distancia segura de la zona de trabajo.
- d. Asegúrese de que su taller sea "a prueba de niños" – con candados, conmutadores maestros y retirando las llaves de arranque.

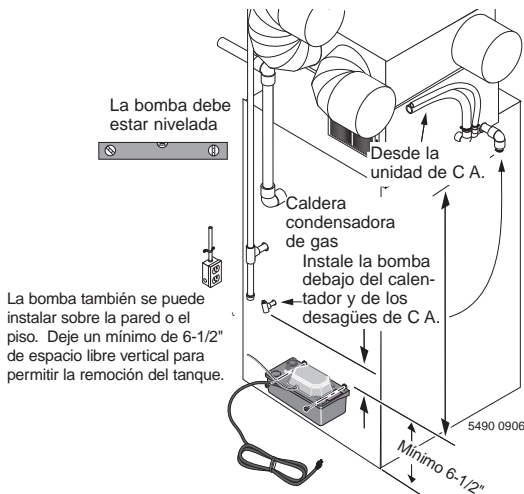
⚠ ADVERTENCIA **Riesgo de choque eléctrico.** Si su sótano tiene agua o humedad en el piso, no camine sobre una zona húmeda hasta que haya desconectado la corriente eléctrica. Si la caja de cierre se encuentra en el sótano, llame a la empresa de electricidad para que desconecten el suministro de servicio a su casa, o llame al departamento local de bomberos para obtener instrucciones. Si no se respeta esta advertencia, existe el riesgo de que ocurra un choque eléctrico fatal.

Cuando la bomba esté enchufada, no manipulee la bomba, el cordón ni el enchufe con manos húmedas o cuando esté parado sobre una superficie mojada o húmeda, o en el agua. Desenchufe la bomba antes de realizar trabajos de reparación o mantenimiento en la misma.

⚠ ADVERTENCIA **Peligro de incendio y explosión.** No use esta bomba para bombear líquidos inflamables o explosivos. Use la bomba solamente con líquidos que sean compatibles con los materiales de los componentes de la bomba. No use la bomba en atmósferas explosivas.

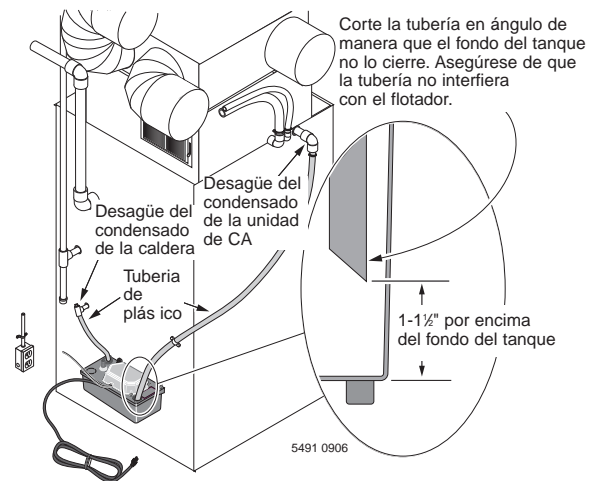
⚠ PRECAUCIÓN **Riesgo de inundación.** Si por cualquier razón existe el riesgo de que ocurran daños materiales o lesiones personales como resultado de una bomba que no funciona o con fugas, se deberá instalar un sistema de conmutación auxiliar de repuesto y/o una alarma con la bomba.

INSTALACIÓN



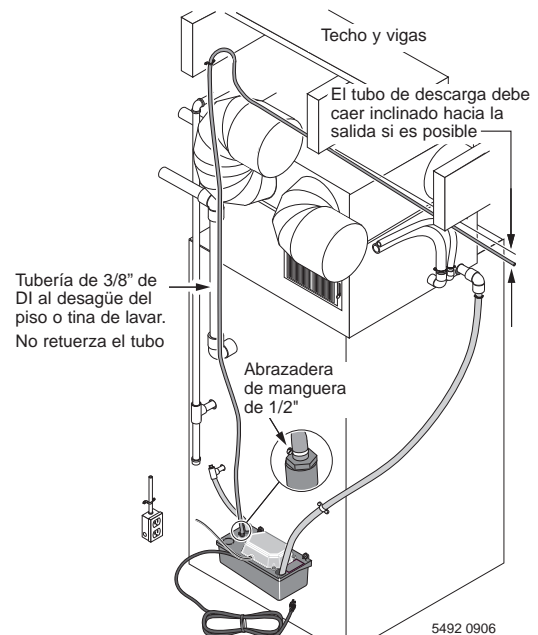
① **Instale la bomba al lado de la caldera (o sobre el piso o la pared).**

⚠ ADVERTENCIA **Peligros de choque eléctrico y de monóxido de carbono.** Cuando instale la bomba al lado de la caldera, asegúrese de que los orificios de montaje no obstruyan el permutador térmico y los cables. El tornillo de montaje para la bomba debe tocar solamente el reborde del tanque de la bomba y la chapa metálica exterior en la caldera. Si tiene alguna duda o si estas instrucciones causan confusión, consulte a una persona de servicio certificada para sistemas de aire acondicionado y calefacción o al fabricante de la caldera.



② **Pase un tubo de plástico según se ilustra hacia adentro del (de los) orificio(s) de admisión del desagüe de la bomba.**

Asegúrese de que la tubería hacia la toma de la bomba, esté debidamente asegurada para que no salga de la abertura de entrada de la bomba. Chequee los requisitos de los códigos locales. Usted deberá respetarlos.



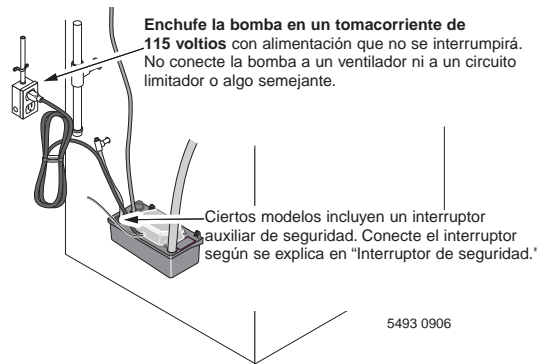
③ **Pase el tubo según se ilustra desde la boquilla de la manguera en la descarga de la bomba hasta el desagüe del piso o la tina de lavar.**

Chequee los códigos locales y obtenga los requisitos para el agua de descarga. Pase la línea de descarga hasta un punto fuera de la casa si es posible. Para hacerlo con facilidad, es posible que pueda hacer pasar la línea de descarga de condensado hacia afuera y a través de la pared a lo largo de la línea de freón de CA. Use la línea existente si es posible (cuando cambie una bomba existente).

Si se afianza la línea de descarga de plástico a una válvula de retención con una abrazadera de manguera de 1/2" (adquirida por separado), eso ayudará a mantenerla en su lugar, especialmente con tubos más viejos (las tuberías de plástico tienden a endurecerse con el tiempo).

Los lugares comunes para el extremo de la línea de descarga son:

- Fuera de una ventana o a lo largo de la línea freón del acondicionador de aire hacia el exterior.
- A un desagüe de piso (deje un espacio para el aire entre el extremo del tubo y el desagüe)
- A una tina o pileta de lavar (deje un espacio para el aire encima del desagüe de la tina).



4 **ADVERTENCIA** **Tensión peligrosa. Enchufe la bomba en un tomacorriente de 115 voltios. La bomba tiene doble aislamiento: no es necesario conectarla a tierra.**

Con la unidad enchufada y la línea de descarga instalada, llene el tanque de la bomba hasta que la bomba arranque. Deje que bombee y que se apague automáticamente para verificar que esté funcionando correctamente a través de un ciclo completo.

Conmutador de Seguridad:

La mayoría de los modelos incluye un interruptor de seguridad automático que se debe conectar para activar una alarma o para desconectar la corriente en caso de un alto nivel de agua en el tanque de condensación.

Si debe pasar un cable adicional desde el conmutador de seguridad de baja tensión a la alarma o al cableado de control de su caldera/unidad de CA, use un cable de por lo menos de calibre 18 (AWG) de cobre con una clasificación nominal de 105° C. Haga las conexiones con las tuercas de cable según se ilustra.

Si su instalación permite la interrupción de la calefacción o de la refrigeración, siga el procedimiento número 1, a continuación.

Si su instalación no permite la interrupción de la calefacción o de la refrigeración, siga el procedimiento número 2, "El interruptor de seguridad hace sonar la alarma".

ADVERTENCIA **Riesgo de choque eléctrico. Desconecte la corriente a la caldera/unidad de CA y asegúrese de que la bomba de condensado esté desenchufada antes de comenzar el procedimiento.**

1. El interruptor de seguridad apaga la caldera / el aire acondicionado

- Verifique que la bomba esté desenchufada.
- Encuentre el cable rojo en el manoteo desde el termostato y desconéctelo de la unidad de caldera/aire acondicionado.
- Conecte el cable rojo a uno de los cables blancos desde el interruptor de seguridad, según se ilustra en la Figura 1.
- Conecte el otro cable blanco desde el interruptor a la placa de bornes de la caldera/aire acondicionado en donde estaba conectado el cable rojo del termostato.
- Enchufe la bomba.
- La caldera/ el aire acondicionado ahora funcionará siempre que la bomba de condensación vacíe el tanque. Si el tanque se llena demasiado, el interruptor se abrirá y desconectará la corriente a la caldera/aire acondicionado.

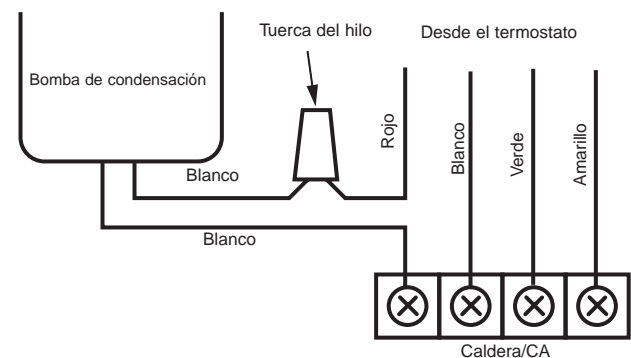


Figura 1: conexión del Conmutador Auxiliar de Seguridad de Baja Tensión para la instalación del cierre de la Caldera/CA.

ADVERTENCIA **Riesgo de congelamiento/recalentamiento.** Esta instalación apagará la caldera/unidad de CA si el nivel del agua en el tanque de la bomba se eleva hasta dentro de 1/2" de la parte superior del tanque (y por lo tanto detendrá la producción de condensado y evitará una inundación), pero no permitirá que la caldera/unidad de CA vuelva a arrancar hasta que se haya vaciado el tanque de la bomba de condensado. Se deberá controlar para que, en caso de que el agua esté alta en el tanque, se pueda tomar una medida correctiva antes de que ocurra un congelamiento o un recalentamiento.

AVISO: Cuando instale la bomba en una vivienda nueva, o después de un proyecto de renovaciones, asegúrese que de los escombros que se puedan encontrar en las tuberías y conductos no entren en el tanque ya que podrán tapar/obstruir el sistema.

2. El Interruptor de seguridad hace sonar la alarma

- Verifique que la bomba esté desenchufada.
- Saque los dos tornillos que sujetan la cubierta del motor a la plataforma de la bomba. Saque la cubierta.
- No perturbe los dos cables amarillos que pasan por la plataforma hacia el motor (están metidos en la parte superior del motor para que no haya extremos de cables visibles).
- Saque el cable blanco del borne inferior ("NC" o generalmente cerrado) en el extremo del interruptor de seguridad y vuelva a conectarlo al borne superior ("NO" o generalmente abierto) en el extremo del interruptor.

- E. Haga correr los cables blancos del interruptor hacia afuera por la muesca en la cubierta del motor y vuelva a colocar la cubierta del motor. Verifique que todos los cables (el cordón eléctrico y el interruptor de seguridad) pasen por la muesca. Enganche la cubierta debajo del seguro que se encuentra en la plataforma y ajústela con dos tornillos.
- F. Conecte los cables blancos desde el interruptor de seguridad a la alarma de su preferencia (adquirida por separado). Consulte las instrucciones del fabricante de la alarma para las conexiones correctas a la alarma.
- G. Enchufe la bomba.

H. **⚠ ADVERTENCIA Peligro de inundación.** Con la instalación No. 2 ("El Interruptor de seguridad hace sonar la alarma"), la alarma se activa cuando el nivel del agua en el tanque se encuentra a una 1/2" de la parte superior del tanque. Sin embargo, la unidad de caldera/aire acondicionado continuará produciendo condensación, porque la alarma no la apagará. Controle la instalación de manera que si el nivel de agua en el tanque de condensación fuese alto, usted pueda reaccionar antes de que se desborde y provoque una inundación.

1. Mueva el conductor blanco del borne NC al borne NO según se ilustra

2. Conecte ambos conductores blancos a la alarma con las tuercas para hilo según se ilustra.

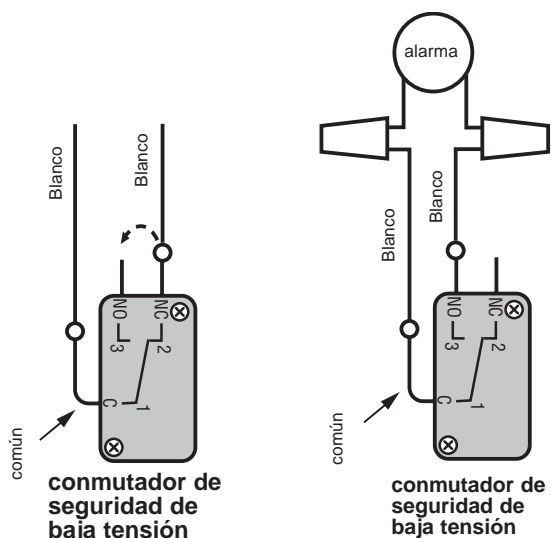


Figura 2: Conexión del Conmutador Auxiliar de Seguridad de Baja Tensión para la instalación del circuito de la alarma (no apaga la caldera o la unidad de CA).

Prueba del Conmutador Auxiliar de Seguridad:

AVISO: Ciertos aparatos pueden no arrancar inmediatamente debido a un circuito incorporado de demora que evita que el compresor pase por el ciclo rápidamente.

1. Encienda el aparato.
2. Desenchufe la bomba de condensado para que no pueda bombear.
3. Vierta agua en el tanque de la bomba hasta que esté casi lleno.
4. A medida de que el agua sube en el tanque, el conmutador de seguridad deberá apagar el aparato o disparar la alarma (según el procedimiento de instalación que se haya usado).
5. Enchufe la bomba de condensado y permita que vacíe el tanque. A medida de que el nivel del agua baja en el tanque, el conmutador de seguridad se deberá reposicionar, permitiendo que el aparato arranque nuevamente o apagando la alarma.

MANTENIMIENTO

1. Desconecte la corriente a la unidad de caldera/aire acondicionado y desenchufe la bomba.
2. Desconecte la tubería a la bomba. Drene la tubería en un recipiente.
3. Saque los dos tornillos de montaje y retire la bomba de la caldera o de la pared. Vierta el contenido del tanque en un drenaje del piso o en un recipiente.
4. Después de haber vaciado la bomba, saque los cuatro tornillos que sujetan el tanque a la plataforma de la bomba. Levante y separe la unidad de plataforma / bomba del tanque.
5. Invierta la unidad de plataforma / bomba boca abajo y saque los cinco tornillos que sujetan la cubierta del impulsor al motor.
6. Saque la cubierta del impulsor. La unidad del rotor / impulsor puede salir con ésta. De lo contrario, sáquela fuera de la cámara del rotor en el motor. (Es posible que deba jalar fuertemente para sacarla contra el magnetismo en los devanados del motor.)
7. Limpie el impulsor, el rotor, la cavidad del rotor y el aro tórico. Use un paño para limpiar la ranura del aro tórico en la cubierta del impulsor y la superficie de hermeticidad en el fondo del bloque motor.
8. Limpie el tanque.
9. Vuelva a ensamblar el impulsor y la cubierta del mismo; apriete los tornillos cuidadosamente. ¡No los apriete demasiado!
10. Vuelva a colocar todo boca arriba y vuelva ensamblar el tanque a la plataforma. Verifique que la cubierta del impulsor encaje bien en el aro moldeado en el fondo del tanque. Sujete el tanque con los cuatro tornillos en las esquinas.
11. Vuelva a instalar la bomba en la caldera.
12. Enchufe la bomba, llene el tanque y haga marchar la bomba por una secuencia completa de bombeo para verificar que funcione correctamente.
13. La bomba está lista para su operación.

LIMPIEZA DE LA VÁLVULA DE RETENCIÓN

1. Desenchufe la bomba de condensación.
2. Saque la tubería de descarga de la válvula de retención.
3. Use una llave de 9/16" para sacar la válvula de retención de la plataforma de la bomba.
4. Inspeccione la válvula para verificar que no haya obstrucciones ni daños. Limpie o reemplace según sea necesario.
5. Enrosque la válvula nuevamente en la descarga de la bomba a mano, más 1/2 vuelta con la llave.
AVISO: No apriete la bomba demasiado, ya que puede deformar el aro tórico que sella la válvula, provocando fugas.
6. Enchufe la bomba, llene el tanque y haga marchar la bomba por una secuencia completa de bombeo para verificar que funcione correctamente.
7. La bomba está lista para su operación.

LOCALIZACIÓN DE FALLAS

La bomba no marcha

- Inspeccione la corriente a la caldera/CA y al circuito de la bomba. Asegúrese de que la bomba esté enchufada.
- Es posible que el nivel del condensado en el tanque no sea lo suficientemente alto para arrancar la bomba. (El agua debe estar a 2" debajo de la parte superior del tanque para que la bomba arranque).
- Suciedad o algas están tapando el tanque.
- La línea de admisión está tapada.
- El flotador está atascado lo que resulta en un tanque sucio.
- Asegúrese de que el conmutador de flotador no esté atascado en la posición descendente (apagado).

La bomba marcha, pero no hay descarga

- Asegúrese de que la tubería de descarga (especialmente el extremo de los tubos) no esté tapada.
- DESENCHUFE la bomba y asegúrese de que la válvula de retención y la abertura de descarga del impulsor no estén tapadas.
- Asegúrese de que el conmutador de flotador no esté atascado en la posición encendida (ascendente).

MANTENIMIENTO PREVENTIVO

Desenchufe la bomba y limpie el tanque el comienzo y al final de cada estación de calefacción. Use un producto comercial para combatir algas y siga las instrucciones del fabricante.

Si se pone aproximadamente un galón de la solución contra algas en el tanque y luego se hace pasar la bomba por el ciclo varias veces, se podrá mantener el tanque y la línea de descarga libres de acumulación de algas.

Asegúrese de verter todo el producto de limpieza y enjuagar el tanque con agua antes de arrancar la bomba.

Asegúrese de no tapar la abertura de descarga del impulsor ni la válvula de retención cuando arranque la bomba después de la limpieza.

Siempre que vuelva a colocar la cubierta del motor y los tornillos, asegúrese de que la cubierta del motor trabe el pasador pivotante del conmutador de flotación y no pellizque ni el cordón de corriente ni los conductores del conmutador de seguridad. No apriete demasiado los tornillos.

REPARACIONES Y MANTENIMIENTO DE UN APARATO DE DOBLE AISLAMIENTO

Un producto de doble aislamiento usa dos capas de aislamiento (una dentro de la otra) para proporcionar protección contra peligros de choque eléctrico. No se requiere un cable separado para conexión a tierra. NO trate de instalar un cable de puesta a tierra en un aparato de doble aislamiento.

Las reparaciones de los productos de doble aislamiento deben ser realizadas sólo por técnicos de servicio competentes, ya que este tipo de servicio requiere mucha cautela y el conocimiento debido del sistema. Todo repuesto que se instale en un producto de doble aislamiento debe ser idéntico al repuesto original que esté reemplazando.

Los productos de doble aislamiento están marcados con las palabras "DOUBLE INSULATION" o "DOUBLE INSULATED" (DOBLE AISLAMIENTO).