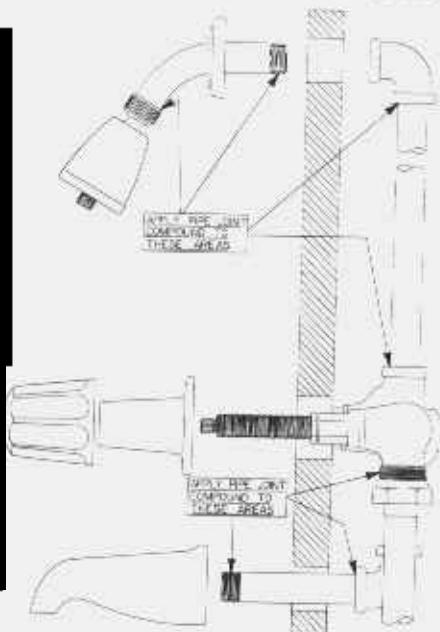




(TM)

ALL TWO AND THREE VALVE TUB AND SHOWER FIXTURES

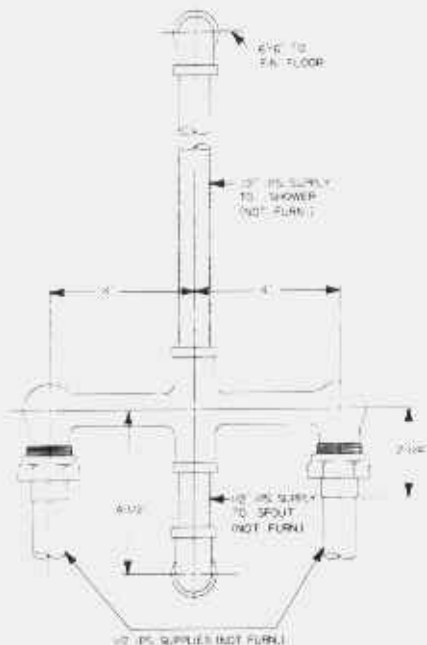


- (1) Go through existing rear access panel. If there is no access provided, cut open wall between studs.
- (2) Shut off both the hot and cold water supply valves located behind the wall. If there are no shut-off valves (frequently not found in older homes), shut off your main water supply at the water meter in your basement, utility area, or crawl-space.
- (3) Remove old faucet handles, shower head and arm and spout. Spout may be removed by inserting a short length of wood into opening and turning counter clockwise.
- (4) Disconnect old faucet body from water pipes. Use pipe wrenches to loosen or remove connecting lengths of pipe. When faucet has been removed, inspect all pipes and pipe joints for soundness. Replace any damaged, weak, or corroded pieces.
- (5) Be certain all pipe threads are clean and dry after removing old faucet. (If new faucet is to be mounted on a new tub or shower cabinet, it may be necessary to install the faucet after tub or shower is installed.)

NOTE: Refer to back page for steps 6 thru 11.

GERBER plumbing fixtures

- (6) Remove your two or three valve fixture from the carton.

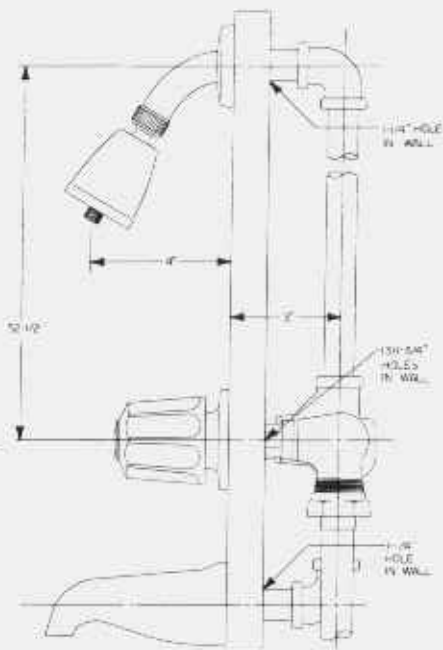


- (7) Install your new fixture. Your new two or three valve body should go in the same way the old one came out. Just reverse the steps you took. Be sure valve body is right side up. Connect to water supply lines first. Then reinstall tub and/or shower piping. Be sure valves and all piping are centered in old wall opening.

WARNING: Do not hook this faucet up to water supply pipes coming down from above. Gerber faucets are designed to work with pipes coming UP FROM FLOOR ONLY.

- (8) **NOTE:** Use pipe joint compound or plumber's tape on threads to make water tight connections.

- (9) Install escutcheons No. 90-268. Thread each escutcheon on until it makes contact with wall. Remove button No. 94-445 and No. 94-446 and each screw No. 90-700 from all handles and install handle No. 94-401 on faucet valve. Tighten screw No. 90-700 on valve stem. Replace buttons.



- (10) Turn water on. Flush out hot and cold water lines before installing tub spout. Use pipe compound or plumber's tape on threads. Hand tighten only. Do not over tighten.

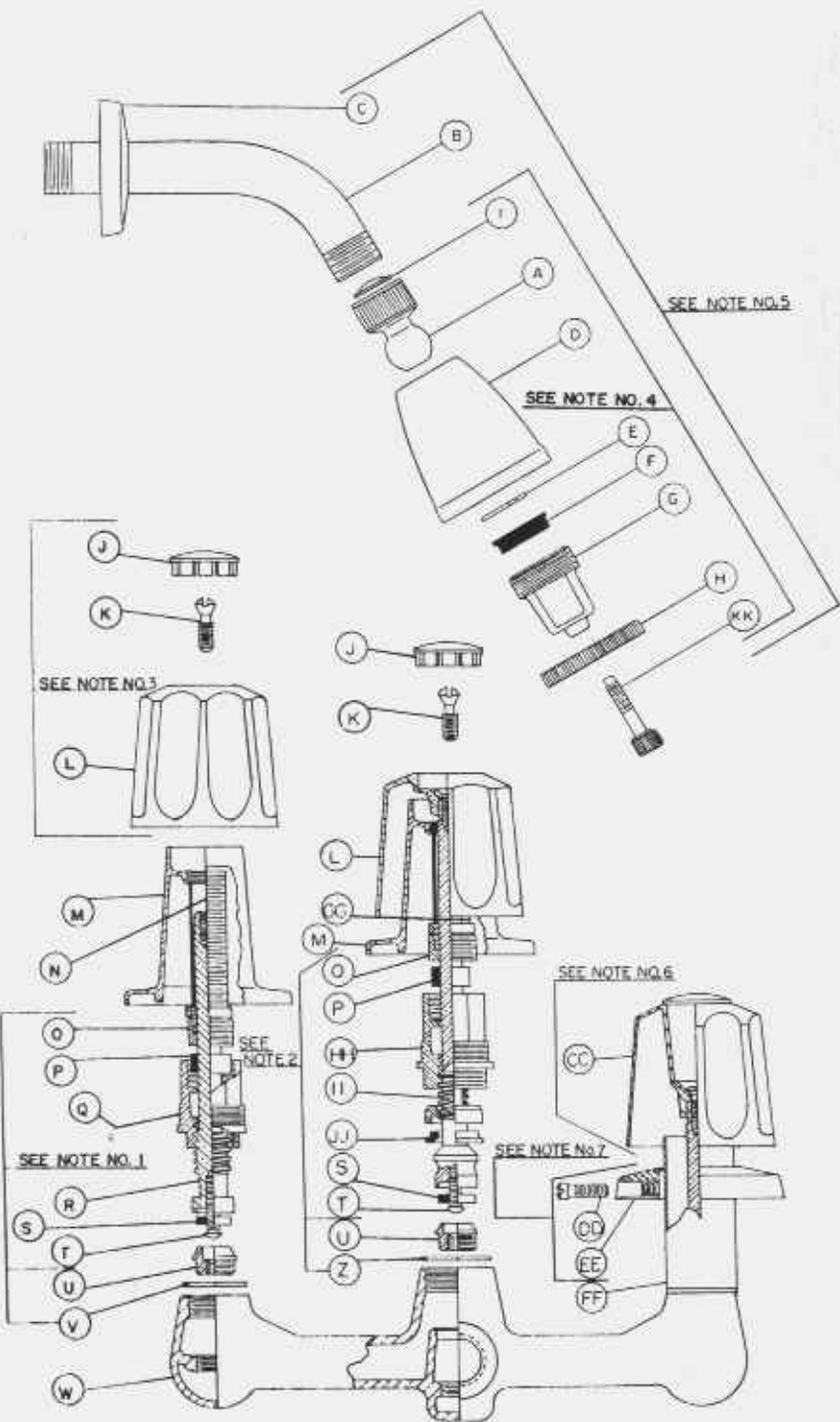
- (11) Flush out hot and cold water lines before installing shower arm and head. Seal threads. Thread shower arm No. 92-012 into riser pipe sidewall opening. Tighten with padded pipe wrench. Do not overtighten. Slide escutcheon plate No. 92-021 up arm against wall. Attach shower head No. 49-194.

MAINTENANCE:

In cleaning faucet, **DO NOT USE ACIDS OR ABRASIVES** as they will damage the chromium finish. Use a warm damp cloth to clean and wipe dry with a soft cloth.

NOTE: REFER TO INSIDE PAGE FOR PARTS LIST.

9" DIVERTER BUILT-IN FITTING



INCL. LTB.	PART NO.	DESCRIPTION OF PART	QTY. REQ'D.
A	92-028	BALL JOINT	1
B	92-012	DRIVER ARM	1
C	92-021	FLANGE	1
D	92-032	SWELL	1
E	92-037	SNAP RING	1
F	92-038	SEAL	1
G	92-033	BALL JOINT RETAINER	1
H	92-034	FACE PLATE	1
I	92-927	FLAW TIGHTER	1
J	92-045	HOT BUTTON	1
	92-046	COLD BUTTON	1
	92-047	ARROW BUTTON	1
K	92-702	SCREW	1
L	92-001	HANDLE	1
M	92-100	ESCUTCHEON	1
N	92-067	RIPPLE	1
O	92-040	BEARING	1
P	92-060	FACEING	1
Q	92-720	BONNET	1
R	92-717	STEM	1
S	92-340	WASHER	1
T	92-092	SCREW	1
U	92-161	SEAT	1
V	92-940	WASHER	1
W	92-680	BODY B" DIVERTER	1
X	92-681	BODY B" DIV. DIRECT SWEAT	1
Y	92-600	SPROUT (CAST BRASS)	1
Z	92-175	SECOND SPROUT	1
AA	92-240	SLIP SPROUT	1
AB	92-311	WASHER	1
AC	92-690	CAPPLING NUT	1
AD	92-170	CORPLING	1
AE	92-602	HANDLE	1
AF	92-681	SET SCREW	1
AG	92-720	ESCUTCHEON	1
AH	92-021	SLEEVE	1
AI	92-060	RIPPLE	1
AJ	92-720	BONNET	1
AK	92-289	STEM	1
AL	92-160	WASHER	1
AM	92-033	SCREW	1

* THESE ITEMS TO BE ORDERED ONLY AS PART OF A REPAIR PARTS ASSEMBLY.

NOTES:

1. WITH ASSEMBLY MAY BE ORDERED AS A COMPLETE REPAIR PARTS ASSEMBLY. TO ORDER PARTS "O" THRU "T" AND "V" USE NO. 92-673.
2. DIVERTER VALVE STEM ASSEMBLY MAY BE ORDERED AS A COMPLETE REPAIR PARTS ASSEMBLY. TO ORDER ITEMS "Q", "R", "S", "T", "U", "V", "W", "X", "Y", "Z", "AA", "AB", "AC", "AD", "AE", "AF", "AG", "AH", "AI", "AJ", "AK", "AL", "AM" USE NO. 92-326.
3. HANDLE, BUTTON & SCREW FOR USE WITH THROUGH EXHIBITION MAY BE ORDERED AS A REPAIR PARTS ASSEMBLY. TO ORDER ITEMS "J", "K", & "L" USE NO. 92-813. PLEASE SPECIFY HOT, COLD OR ARROW.
4. SHOWER HEAD MUST BE ORDERED AS A COMPLETE REPAIR PARTS ASSEMBLY. TO ORDER ITEMS "A" & "B" THRU "I" & "KK" USE NO. 29-197.
5. SHOWER HEAD ASSEMBLY AND SHOWER ARM ASSEMBLY MAY BE ORDERED AS A COMPLETE REPAIR PARTS ASSEMBLY. TO ORDER ITEMS "A" THRU "I" & "KK", USE NO. 42-202.
6. HANDLE, SOTTO & SCREW FOR USE WITH SLIDING SLEEVE MAY BE ORDERED AS A REPAIR PARTS ASSEMBLY. TO ORDER ITEMS "J", "K", & "L" USE NO. 92-793. PLEASE SPECIFY HOT OR COLD. USE NO. 92-794 FOR ARROW.
7. ESCUTCHEON & SET SCREW FOR USE WITH SLIDING SLEEVE MUST BE ORDERED AS A REPAIR PARTS ASSEMBLY. TO ORDER ITEMS "M" & "N" USE NO. 92-000.

