

# CRAFTSMAN<sup>®</sup>

## Owner's Manual

### 3 Ton Service Jack

Model No.  
875.501390



#### **WARNING:**

Before operating jack, read this manual and follow all Safety Recommendations and Operating Instructions.

- ◆ Safety
- ◆ Warranty
- ◆ Features & Operation
- ◆ Maintenance
- ◆ Español

Sears, Roebuck and Co., Hoffman Estates, IL 60179 USA

PL-50139

## SAFETY INSTRUCTIONS

### Read Operating Instructions

Study, understand and follow all instructions in this manual before operating the jack. Failure to heed these warnings may result in loss of load, damage to the jack and/or jack failure resulting in personal injury or property damage.

### Position the Jack

Position the jack to only lift on the areas of the vehicle specified by the vehicle manufacturer.

### Use Support Stands

After lifting the vehicle always support the load with appropriately rated vehicle support stands before working on the vehicle.

### Do Not Overload Jack

Do not overload this jack beyond its rated capacity. Overloading this jack beyond its rated capacity can cause damage to or failure of the jack.

### Use on Hard Level Surface

This jack is designed only for use on hard level surfaces capable of sustaining the load. Use on other than hard level surfaces can result in jack instability and possible loss of load.

### Center Load on Jack Saddle

Center load on jack saddle before lifting vehicle. Off-center loads and loads lifted when the jack is not level can cause loss of load or damage to the jack.

### THIS JACK IS A LIFTING DEVICE ONLY!

This jack is designed only for lifting part of the total vehicle. Do not move or dolly the vehicle while it is on the jack.



**NOTE: DURING SHIPMENT AND HANDLING, AIR MAY GET TRAPPED IN THE HYDRAULIC SYSTEM, WHICH CAN INTERFERE WITH THE JACK'S LIFTING PERFORMANCE. FOLLOW THESE STEPS TO RELEASE AIR FROM THE HYDRAULIC SYSTEM:**

- Open the release valve by turning the jack handle counter clockwise
- Loosen oil filter plug
- Rapidly pump jack handle with several full strokes
- Tighten oil filter plug

**Keep hands and feet clear of the jack hinge mechanism and ground contact area when lowering the load!**

## WARRANTY

### Full One Year Warranty on Craftsman Jacks

If this Craftsman Jack fails to give complete satisfaction within one year from the date of purchase, RETURN IT TO THE NEAREST SEARS SERVICE CENTER/DEPARTMENT IN THE UNITED STATES, and Sears will replace it. If this Craftsman jack is used for commercial or rental purposes, this warranty applies for only 30 days from the date of purchase. This warranty gives you specific legal rights, and you may also have other rights which vary from state to state.

Sears, Roebuck and Co., Dept. 817WA, Hoffman Estates, IL 60179.

## DESCRIPTION

Craftsman model 875.501390 Service Jack and (2) stands (model 501340) feature a 6,000 lbs. maximum capacity. Lifting range for this jack is 5 1/2 inches to 19 3/4 inches. Jack features an overload valve which helps prevent equipment failure. Bypass system provides safe operation.

## FEATURES & OPERATION

- 6000 lbs. Maximum load
- Compact design allows use in confined spaces

### Operation

#### Raising the Jack

- Close the release valve by turning the handle clockwise.
- Block the vehicles wheels for lifting stability.
- Refer to the vehicle manufacturer owners manual to locate approved lifting points on the vehicle. Position the jack so that the saddle is centered and will contact the load lifting point firmly.
- Pump jack handle until saddle nears contact with the vehicle. Check to see that the saddle is centered and will contact the load lifting point firmly.
- Continue to pump the jack handle to lift the vehicle to the desired height. After lifting, support the load with appropriately rated vehicle support stands before working on the vehicle.

#### Lowering the Jack

- Open the release valve very slowly by turning the handle counter-clockwise.

#### With Release Valve Closed

- An upward stroke of the jack handle draws oil from the reservoir tank into the plunger cavity. Hydraulic pressure holds the valve closed, which keeps the oil in the plunger cavity.
- A downward stroke of the jack handle releases oil into the cylinder, which forces the ram out. This raises the saddle.

- When the ram reaches maximum extension, oil is bypassed back into the reservoir to prevent an over extended ram stroke and possible damage to the jack.
- Opening the release valve allows oil to flow back into the reservoir. This releases hydraulic pressure on the ram, which results in lowering the saddle.

## MAINTENANCE

### To Add Oil:

- Position the jack on level ground and lower the saddle. Remove the oil plug.
- Fill the oil case until it is level with the oil filler plug hole.

### To Replace Oil:

- Release valve gear assembly and remove oil filler plug.
- Turn the jack over so that old oil will drain from the oil filler hole.
- Refill through oil filler hole. Keep dirt and other material clear when pouring.
- After refilling, open the release valve to remove any air in the hydraulic chamber.
- Pump the jack handle several times, then release.

## Lubrication

- Add lubricating oil to all moving parts when needed.

### Rust Prevention:

- Check ram and pump plunger every two months (or sooner, based on usage) for any signs of rust or corrosion. Clean as needed and wipe down with an oil cloth.
- When storing the jack, always have the saddle and pump plunger in the down position.

**ALWAYS USE A GOOD GRADE HYDRAULIC JACK OIL. DO NOT USE HYDRAULIC BRAKE FLUID, ALCOHOL, GLYCERINE, DETERGENT, MOTOR OIL OR DIRTY OIL. USE OF AN UNRECOMMENDED FLUID CAN CAUSE DAMAGE TO YOUR JACK.**

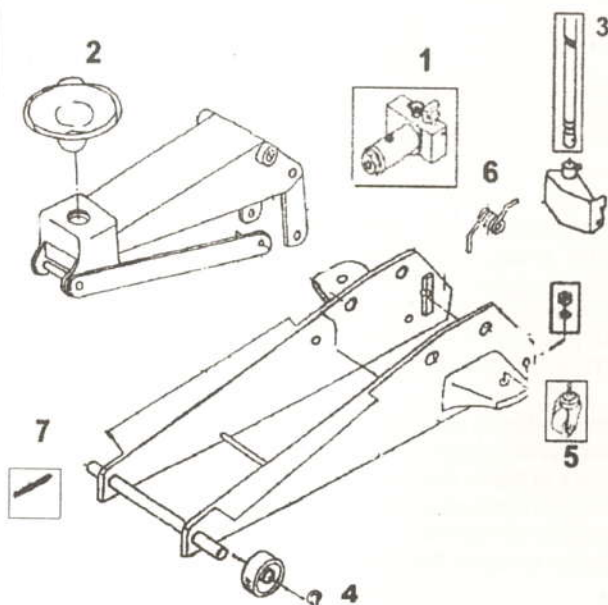
## Specifications

Maximum load capacity ..... 3 tons (6000 lbs.)  
 Lift range ..... 5-1/2 to 19 3/4 inches  
 Size (LxWxH) ..... 26" x 13" x 6"  
 Weight w/handle ..... 88 lbs.

## EXPLODED VIEW AND PARTS LIST

Ref.	Part No.	Description	Q'ty.
1	950139-07	Power Unit Assembly	1
2	950139-12	Saddle	1
3	950139-45-57	Handle Assembly	1
4	950139-04-06	Front Wheel Assembly	1
5	950139-02-03	Rear Wheel Assembly	1
6	950139-08	Torsion Spring	1
7	950139-25	Return Spring	1
Not Shown	950139-39-44	Handle Gear Assembly	1
Not Shown	950139-06	Oil Plug (Not shown)	1

### Craftsman Model 875.501390 3 - Ton Service Jack



## TROUBLESHOOTING

JACK WILL NOT LIFT LOAD	JACK WILL NOT HOLD LOAD	JACK WILL NOT LOWER	POOR JACK LIFTING	CAUSES & SOLUTIONS
X				RELEASE VALVE IS NOT COMPLETELY CLOSED. TURN CLOCKWISE.
X			X	AIR IS IN HYDRAULICS. RELEASE FROM SYSTEM.
X	X		X	LOW OIL LEVEL. ADD OIL AS REQUIRED.
		X		OIL RESERVOIR IS OVERFILLED. DRAIN EXCESSIVE OIL. LUBRICATE MOVING PARTS.
X	X		X	POWER UNIT MALFUNCTIONING. REPLACE THE POWER UNIT.

## DETECCIÓN Y SOLUCIÓN DE FALLAS

EL GATO NO LEVANTA LA CARGA	EL GATO NO SOSTIENE LA CARGA	EL GATO NO BAJA	EL GATO LEVANTA MAL	CAUSAS Y SOLUCIONES
X				LA VÁLVULA DE LIBERACIÓN NO ESTÁ COMPLETAMENTE CERRADA. GÍRELA HACIA LA DERECHA.
X			X	HAY AIRE EN EL SISTEMA HIDRÁULICO. ELIMÍNELO DEL SISTEMA.
X	X		X	NIVEL BAJO DE ACEITE. AGREGUE EL ACEITE QUE FALTE.
		X		EL TANQUE DE ACEITE SE HA LLENADO EN EXCESO. DRENE EL EXCESO DE ACEITE. LUBRIQUE LAS PIEZAS MÓVILES.
X	X		X	ESTÁ FALLANDO LA UNIDAD DE POTENCIA. CÁMBIELA.

For the repair or replacement parts you need delivered directly to your home

Call 7 am - 7 pm, 7 days a week

1-800-366-PART

(1-800-366-7278)

Para ordenar piezas con entrega a domicilio - 1-800-659-7084

For the location of a Sears Parts and Repair Center in your area

Call 24 hours a day, 7 days a week

1-800-488-1222

For more information on purchasing a Sears Maintenance Agreement or to inquire about an existing Agreement

Call 9 am - 5 pm, Monday-Saturday

1-800-827-6655

The model number of your air tool is located on the serial plate attached to the tool.

When requesting service or ordering parts, always give the following information:

- Product Type
- Pneumatic Tool
- Model Number
- Part Description



# SEARS

**America's Repair Specialists**

Sears, Roebuck and Co., Hoffman Estates, IL 60179 USA

02E022796