

## Owner's Manual

# CRAFTSMAN®

## Pneumatic 1/2" Drive IMPACT WRENCH

Model No.  
875.191180



### WARNING:

Before operating tool, read this manual and follow all Safety Recommendations and Operating Instructions.

- ◆ Safety
- ◆ Warranty
- ◆ Features & Operation
- ◆ Maintenance
- ◆ Español

Sears, Roebuck and Co., Hoffman Estates, IL 60179 USA

[www.Sears.com](http://www.Sears.com)

## SAFETY INSTRUCTIONS

### Read Operating Instructions

Please become familiar with all the instructions and warnings before operating any pneumatic tool.

### Always Wear Approved Eye Protection

Impact resistant eye protection should meet or exceed the standards set forth in ANSI Z87.1, Occupational and Educational Eye and Face Protection. Look for marking Z87.1 on your eye protection to ensure that it is an approved style.

### Hearing Protection is Recommended

Hearing protection should be used when the noise level exposure equals or exceeds an 8 hour time-weighted average sound level of 85dBA. Process noise, reflective surfaces, other tools being operated nearby, all add to the noise level in a given work area. If you are unable to determine your noise level exposure, we recommend the use of hearing protection.

### Avoid Prolonged Exposure to Vibration

Pneumatic tools can vibrate during use. Prolonged exposure to vibration or very repetitive hand and arm movements can cause injury. Discontinue the use of any tool if you experience tingling, numbness, discomfort or pain in your hands or arms. You should consult your physician before resuming use of tool.

### 90 PSI Maximum

This tool is designed to operate at an air pressure of 90 pounds per square inch gauge pressure (90 PSI) maximum, at the tool. Use of higher air pressure can, and may cause injury. Also, the use of higher air pressure places the internal components under loads and stresses they were not designed for, causing premature tool failure.

**NOTE:** THE AIR SUPPLY SHOULD BE CLEAN, DRY AND PREFERABLY LUBRICATED. FOR BEST RESULTS DRAIN THE MOISTURE FROM YOUR COMPRESSOR DAILY.

### Use Only Impact Sockets & Accessories

Only use sockets designated "FOR USE WITH IMPACT WRENCHES." Hand tool sockets can break, creating a hazard from flying pieces. Always check sockets, retainers and drives regularly for wear or damage and replace when necessary.

## ⚠WARNING

Some dust created by power sanding, sawing, grinding, drilling and other construction activities contains chemicals known to cause cancer, birth defects or other reproductive harm. Some examples of these chemicals are:

- Lead from lead based paint
- crystalline silica from bricks and cement and other masonry products, and
- arsenic and chromium from chemically-treated lumber.

Your risk from those exposures varies, depending on how often you do this type of work. To reduce your exposure to these chemicals: work in a well ventilated area, and work with approved safety equipment, such as dust masks that are specifically designed to filter out microscopic particles.

## WARRANTY

### FULL TWO YEAR WARRANTY ON CRAFTSMAN AIR-DRIVE TOOLS

If this Craftsman tool fails to give complete satisfaction within two years from the date of purchase, RETURN IT TO THE NEAREST SEARS STORE IN THE UNITED STATES, and Sears will repair it free of charge. If this Craftsman tool is used for commercial or rental purposes, this warranty applies for only 90 days from the date of purchase. This warranty gives you specific legal rights, and you may also have other rights which vary from state to state.

Sears, Roebuck and Co., Dept. 817WA, Hoffman Estates, IL 60179.

## FEATURES/SPECIFICATIONS

The Craftsman Model 875.191180 1/2" Square Drive Impact Wrench is ideal for general assembly, automotive, agricultural and industrial applications.

### Features

- Built-in regulator for power output adjustment.
- Pin type clutch for increased power output.
- Ring-type socket retainer allows quick socket changes.

### Specifications

Drive size.....	1/2"
Impacts per minute.....	1,300 IPM
Free speed (No Load).....	7 000 RPM
Ultimate torque.....	230 ft. lbs.
Weight.....	4 1/2 lbs.
Overall length.....	7 1/2"
Average air consumption.....	4 CFM
Recommended hose size.....	3/8" I.D.
Air inlet.....	1/4" NPT
Maximum Air Pressure.....	90 PSI

## INSTALLATION / PRE-OP

### Pre-Operation

Before the tool is connected to the air supply, clear the air hose of accumulated dust and moisture by running air freely through the air hose for 5-10 seconds. Before removing a tool for service or changing sockets, make sure the air line is shut-off at the compressor. This will prevent the tool from operating if the throttle is accidentally engaged.

### Installation (See figure 1)

This tool is designed to operate at 90 psi. Lower pressure (below 90 psi) will reduce performance of the tool while higher air pressure (over 90 psi) raises the performance of the tool beyond its rated capacity and could cause serious damage to tool and user.

Always use clean dry air. Excessive moisture and dirt will greatly reduce the life of any air motor. We recommend the installation of an in-line filter-regulator-lubricator as close to the tool as possible.

A 3/8" air hose is required up to a length of 8 ft. If more length is required a 1/2" air hose should be used at the compressor. Attach a 3/8" whip hose for the remaining 4 - 8 ft. for flexibility. Be sure all hoses and fittings are the correct size and tightly secured before using air tool.

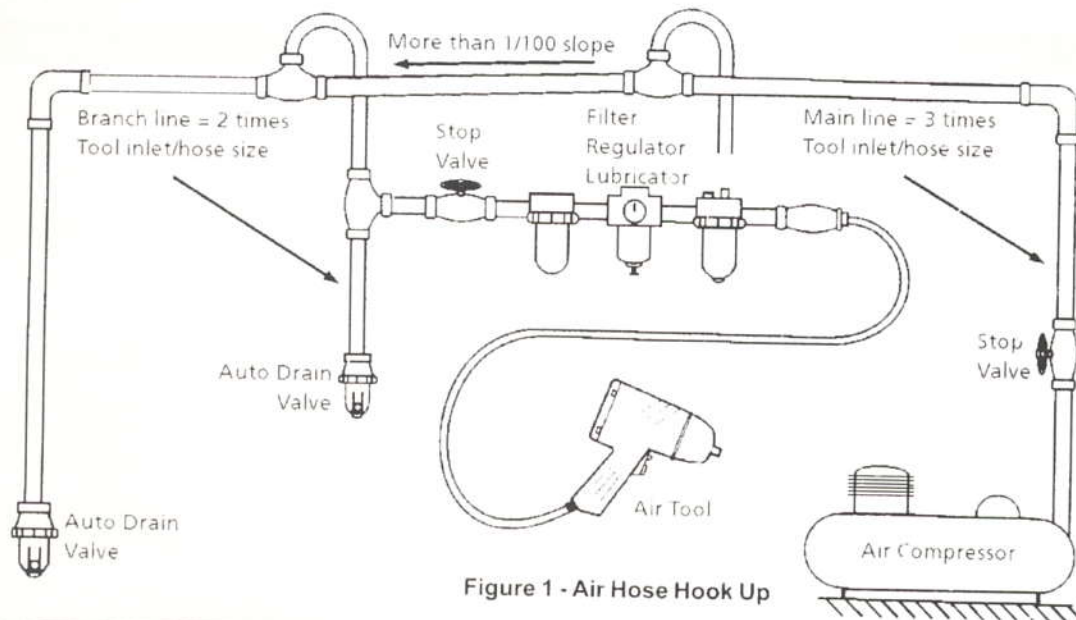


Figure 1 - Air Hose Hook Up

## OPERATION

This tool's power output may be adjusted by rotating the regulator valve (fig. 2) until desired output is achieved. The settings on the regulator are only for reference and do not denote a specific power output. Turn clockwise to zero for less power and counterclockwise to four for maximum power. Push reverse pin towards the rear of tool for reverse and towards the front of the tool for forward (fig 3). Power is regulated in both forward and reverse direction.



Figure 2  
Regulator Valve

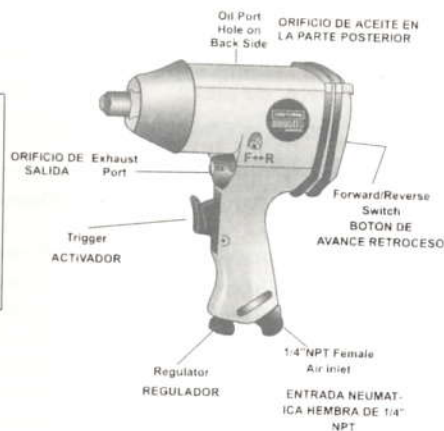


Figure 3  
Tool Diagram

## MAINTENANCE

### Lubrication

An in-line filter-regulator-lubricator (fig 1) is recommended as it increases tool life and keeps the tool in sustained operation. The in-line lubricator should be regularly checked and filled with air tool oil. Proper adjustment of the in-line lubricator is performed by placing a sheet of paper next to the tool's exhaust ports and holding the throttle open approximately 30 seconds. The lubricator is properly set when a light stain of oil collects on the paper. Excessive amounts of oil should be avoided.

In the event that it becomes necessary to store the tool for an extended period of time (overnight, weekend, etc.), it should receive a generous amount of lubrication through the air inlet (fig 3). The tool should be run for approximately 30 seconds to ensure oil has been evenly distributed throughout the tool. The tool should be stored in a clean and dry environment.

**Recommended lubricants:** Use air tool oil or any other high grade turbine oil containing moisture absorbent, rust inhibitors, metal wetting agents and an EP (extreme pressure) additive. (See Fig. 3 for location/air inlet).

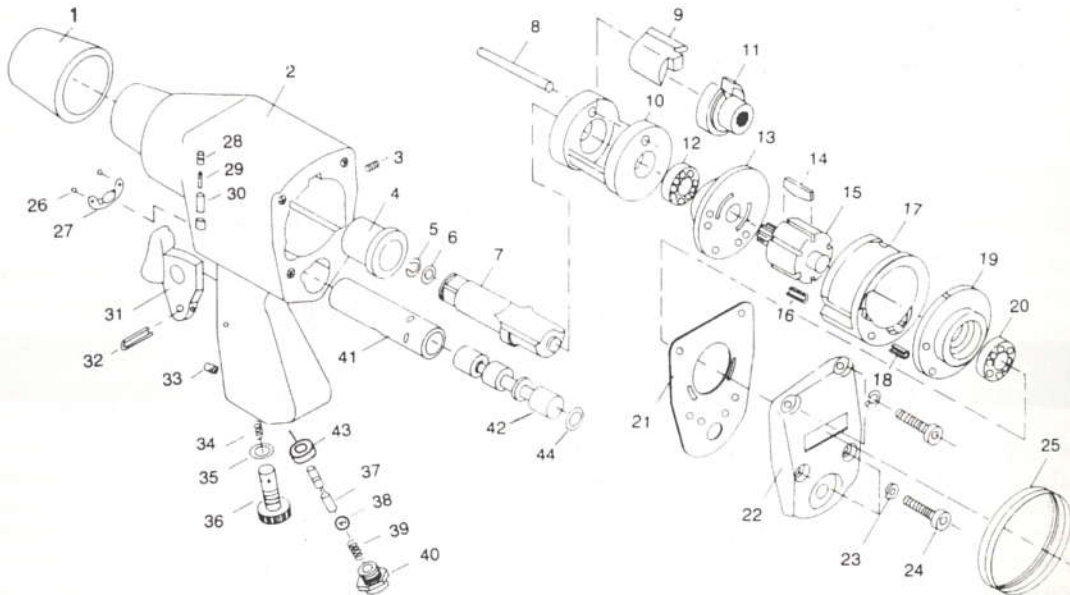
**Impact clutch lubrication:** The tool reservoir in the anvil housing should be checked every 40 hours of operation. Remove the oil plug from the housing and hold tool so the oil port is lower than the anvil housing. Drain oil. Measure and refill with approximately 1 oz. (30 ml) of SAE 30 weight oil. Never overfill the anvil mechanism or excessive pressure will be created reducing tool speed and power. If the tool becomes sluggish after adding oil, remove a small amount of oil and check performance again. (Fig 3 Oil Port Hole)

## WARNING

Once a bolt or fastener is seated, impacting for longer than five (5) seconds will cause excessive wear and possible damage to the impacting Mechanism. If it takes longer than five seconds to tighten or loosen your bolt or fastener, we recommend the use of a larger size impact wrench.

# Sears CRAFTSMAN Model 875.191180 Pneumatic 1/2" Drive Impact Wrench

## Exploded View and Parts List



Ref.	Part No.	Description	Q'ty	Ref.	Part No.	Description	Q'ty
1	9106038	Protecting Rubber	1	23	9106036	Washer	4
2	9106001	Housing	1	24	9106035	Screw	4
3	9106045	Screw	1	25	9106044	Housing Shield	1
4	990404	Anvil Bushing	1	26	9106042	Screw	2
5	9106040	Anvil Collar and Seal	1	27	9106039	Exhaust Deflector	1
6	9106041	O Ring	1	28	9106016	Screw	1
7	9106018	Anvil (1/2" SQ)	1	29	9106031	Spring	1
8	9106020	Hammer Pin	1	30	9106032	Pin	1
9	9106021	Hammer Dog	1	31	9106004	Trigger	1
10	9106019	Hammer Cage	1	32	9106005	Pin	1
11	9106022	Drive Cam	1	33	990433	Screw	1
12	9106028	Ball Bearing	1	34	9106014	Spring	1
13	990413	Front End Plate	1	35	9106012	O Ring	1
14	9106026	Rotor Blade	6	36	9106011	Air Regulator	1
15	990415	Rotor	1	37	9106006	Valve Stem	1
16	963423	Pin	1	38	9106008	Steel Ball	1
17	9106024	Cylinder	1	39	9106009	Spring	1
18	9106030	Pin Cylinder	1	40	9106010	Hose Adapter	1
19	990419	Rear End Plate	1	41	9106002	Valve Sleeve	1
20	9BB-06082	Ball Bearing	1	42	9106003	Reverse Valve	1
21	9106033	Rear Gasket	1	43	9106043	Bushing	1
22	9106034	Rear Cover	1	44	9YL-904-44	O Ring	1

## Troubleshooting

Symptom	Possible Cause	Corrective Action
Tool runs slowly or will not operate	1. Grit or gum in tool	1. Flush the tool with air tool oil or gum solvent.
	2. No oil in tool	2. Lubricate the tool according to the lubrication instructions in this manual
	3. Low air pressure	3. a. Adjust the regulator on the tool to the maximum setting b. Adjust the compressor regulator to tool maximum of 90 psi.
	4. Air hose leaks	4. Tighten and seal hose fittings if leaks are found use teflon tape.
	5. Pressure drops	5. a. Be sure the hose is the proper size. Long hoses or tools using large volumes of air may require a hose with an I.D. of 1/2" or larger depending on the total length of the hose b. Do not use a multiple number of hoses connected together with quick connect fittings. This causes additional pressure drops and reduces the tool power. Directly connect the hoses together
	6. Worn rotor blade in motor	6. Replace rotor blade
	7. Worn ball bearing in motor	7. Remove and inspect bearing for rust, dirt and grit. Replace or clean and grease bearing with bearing grease
Moisture blowing out of tool exhaust	1. Water in tank	1. Drain tank. (See air compressor manual). Oil tool and run until no water is evident. Oil tool again and run 1-2 seconds
Impacts slowly or will not impact	1. Lack of lubrication	1. Lubricate the air motor and the impact mechanism. (See Lubrication section of this manual)
	2. Tool regulator set in wrong position	2. Adjust the regulator on the tool to the maximum setting
	3. In-line regulator or compressor regulator set too low	3. Adjust regulators in the air system
Impacts rapidly but will not remove bolts	1. Worn impact mechanism	1. Replace worn impact mechanism components
Does not impact	1. Broken impact mechanism	1. Replace broken impact mechanism components

## Get it fixed, at your home or ours!

### Your Home

For repair - **in your home** - of **all** major brand appliances, lawn and garden equipment, or heating and cooling systems, **no matter who made it, no matter who sold it!**

For the replacement parts, accessories and owner's manuals that you need to do-it-yourself.

For Sears professional installation of home appliances and items like garage door openers and water heaters.

**1-800-MY-HOME® (1-800-469-4663)**

Call anytime, day or night (U.S.A. and Canada)

**www.sears.com      www.sears.ca**

---

### Our Home

For repair of carry-in items like vacuums, lawn equipment, and electronics, call or go on-line for the location of your nearest **Sears Parts & Repair Center.**

**1-800-488-1222**

Call anytime, day or night (U.S.A. only)

**www.sears.com**

---

To purchase a protection agreement on a product serviced by Sears:

**1-800-827-6655 (U.S.A.)**

**1-800-361-6665 (Canada)**

---

For after sale  
support and assistance

**1-800-290-9054**

---

# SEARS

® Registered Trademark / ™ Trademark / ™ Service Mark of Sears, Roebuck and Co.  
® Marca Registrada / ™ Marca de Fábrica / ™ Marca de Servicio de Sears, Roebuck and Co.  
MC Marque de commerce / MD Marque déposée de Sears, Roebuck and Co.

© Sears, Roebuck and Co.