

## Owner's Manual

**CRAFTSMAN®**

## PNEUMATIC AIR HAMMER

Model No.  
875.191190



### **WARNING:**

Before operating tool, read this manual and follow all Safety Recommendations and Operating Instructions.

- ◆ Safety
- ◆ Warranty
- ◆ Features & Operation
- ◆ Maintenance
- ◆ Español

**Sears, Roebuck and Co., Hoffman Estates, IL 60179 USA**

[www.sears.com](http://www.sears.com)

## SAFETY INSTRUCTIONS

### Read Operating Instructions

Please become familiar with all the instructions and warnings before operating any pneumatic tool.

### Always Wear Approved Eye Protection

Impact resistant eye protection should meet or exceed the standards set forth in ANSI Z87.1, Occupational and Educational Eye and Face Protection. Look for marking Z87.1 on your eye protection to ensure that it is an approved style.

### Hearing Protection is Recommended

Hearing protection should be used when the noise level exposure equals or exceeds an 8 hour time-weighted average sound level of 85dBA. Process noise, reflective surfaces, other tools being operated nearby, all add to the noise level in a given work area. If you are unable to determine your noise level exposure, we recommend the use of hearing protection.

### Avoid Prolonged Exposure to Vibration

Pneumatic tools can vibrate during use. Prolonged exposure to vibration or very repetitive hand and arm movements, can cause injury. Discontinue the use of any tool if you experience tingling, numbness, discomfort or pain in your hands or arms. You should consult your physician before resuming use of tool.

### 90 PSI Maximum

This tool is designed to operate at an air pressure of 90 pounds per square inch gauge pressure (90 PSI) maximum, at the tool. Use of higher air pressure can, and may cause injury. Also, the use of higher air pressure places the internal components under loads and stresses they were not designed for, causing premature tool failure.

**NOTE:** THE AIR SUPPLY SHOULD BE CLEAN AND DRY, PREFERABLY LUBRICATED. FOR BEST RESULTS DRAIN THE MOISTURE FROM YOUR COMPRESSOR DAILY.

### Use May Produce Flying Objects

Care should be taken when using any percussion tool. Keep the point of the chisel in contact with the work surface. Inspect all accessories carefully for damage before use. Chisels and chisel retainers should be kept in good condition and replaced as needed. Discard any accessory that has been damaged to prevent anyone from using it.

### **▲WARNING**

Some dust created by power sanding, sawing, grinding, drilling, and other construction activities contains chemicals known to cause cancer, birth defects or reproductive harm. Some examples of these chemicals are:

- Lead from lead-based paint
- Crystalline silica from bricks, cement and other masonry products
- Arsenic and chromium from chemically treated lumber

Your risk from these exposures varies, depending on how often you do this type of work. To reduce your exposure to these chemicals, work in a well-ventilated area and work with approved safety equipment such as dust masks that are specially designed to filter out microscopic particles.

## WARRANTY

### FULL TWO YEAR WARRANTY ON CRAFTSMAN AIR-DRIVE TOOLS

If this Craftsman tool fails to give complete satisfaction within two years from the date of purchase, RETURN IT TO THE NEAREST SEARS STORE IN THE UNITED STATES, and Sears will repair it free of charge. If this Craftsman tool is used for commercial or rental purposes, this warranty applies for only 90 days from the date of purchase. This warranty gives you specific legal rights, and you may also have other rights which vary from state to state.

Sears, Roebuck and Co., Dept. 817WA, Hoffman Estates, IL 60179.

## FEATURES/SPECIFICATIONS

The Craftsman Model 875.191190 Air Hammer is designed for chipping, trimming, riveting, cutting, piercing and peening.

### Features

- Uses standard .401 inch shank chisels.
- Alloy steel barrel and heat-treated piston for long life.
- Produces 4,000 powerful blows per minute with a 1-5/8" stroke.

### Specifications

Blows per minute.....	4,000
Stroke length.....	1 <sup>5</sup> / <sub>8</sub> "
Bore diameter.....	3/4"
Overall Length.....	6.1"
Weight .....	2.3 lbs.
Recommended hose size.....	3/8" I.D.
Air Inlet.....	1/4" NPT
Average Air Consumption.....	4 CFM
Maximum Operating Pressure.....	90 psi

## INSTALLATION / PRE-OP

### Pre-Operation

Before the tool is connected to the air supply, clear the air hose of accumulated dust and moisture by running air freely through the air hose for 5-10 seconds. Before removing a tool for service or changing chisels, make sure the air line is shut-off at the compressor. This will prevent the tool from operating if the throttle is accidentally engaged.

### Installation (See figure 1)

This tool is designed to operate at 90 psi. Lower pressure (below 90 psi) will reduce performance of the tool while higher air pressure (over 90 psi) raises the performance of the tool beyond its rated capacity and could cause serious damage to tool and user.

Always use clean dry air. Excessive moisture and dirt will greatly reduce the life of any air motor. We recommend the installation of an in-line filter-regulator-lubricator as close to the tool as possible. (Fig 1)

A 3/8" air hose is required up to a length of 8 ft. If more length is required a 1/2" air hose should be used at the compressor. Attach a 3/8" whip hose for the remaining 4 - 8 ft. for flexibility. Be sure all hoses and fittings are the correct size and tightly secured before using air tool.



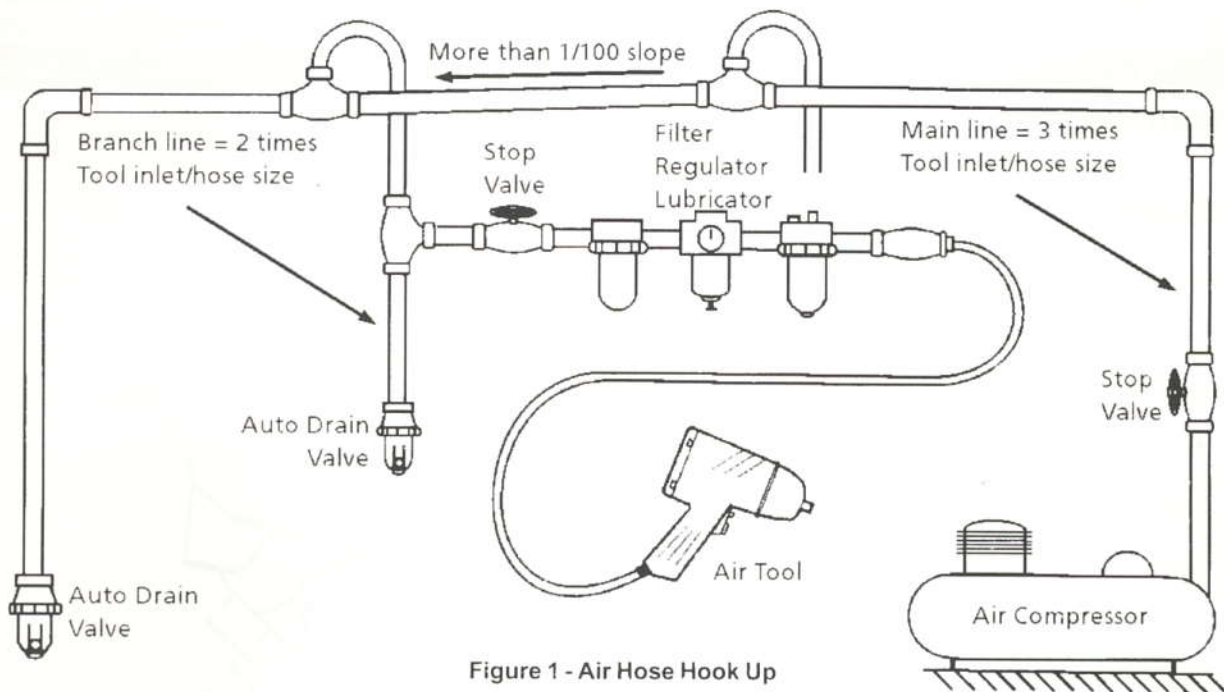


Figure 1 - Air Hose Hook Up

## OPERATION

### USING QUICK CHANGE RETAINER

1. Disconnect air supply and remove all accessories.
2. Thread quick change chisel retainer onto end of barrel.
3. While pushing end of spring to side of the tool, insert a standard .401" taper shank chisel into barrel and allow spring tension to rest against chisel. Make sure chisel collar is between barrel and retaining part of spring.
4. Remove chisel by pushing spring to side of tool and pull chisel out of barrel.
5. Always hold chisel to work surface before operating tool

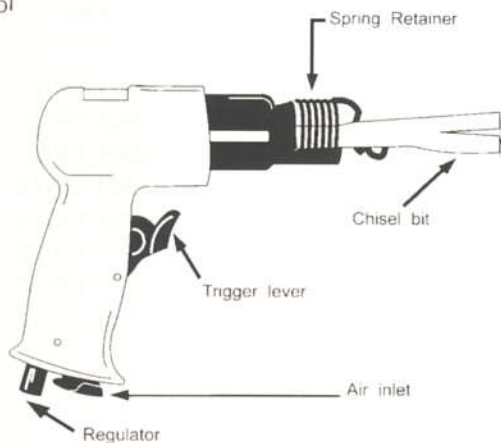


Figure 2 - Tool Diagram

Place chisel against work surface and pull trigger in short bursts until chisel sets in work. Use both hands to hold hammer for better control.

Sears offers a variety of chisels for this hammer.

## MAINTENANCE

### Lubrication

An in-line filter-regulator-lubricator (fig 1) is recommended as it increases tool life and keeps the tool in sustained operation. The in-line lubricator should be regularly checked and filled with air tool oil. Proper adjustment of the in-line lubricator is performed by placing a sheet of paper next to the tools exhaust ports and holding the throttle open approximately 30 seconds. The lubricator is properly set when a light stain of oil collects on the paper. Excessive amounts of oil should be avoided.

In the event that it becomes necessary to store the tool for an extended period of time (overnight, weekend, etc.), it should receive a generous amount of lubrication through the air inlet (fig 2). The tool should be run for approximately 30 seconds to ensure oil has been evenly distributed throughout the tool. The tool should be stored in a clean and dry environment.

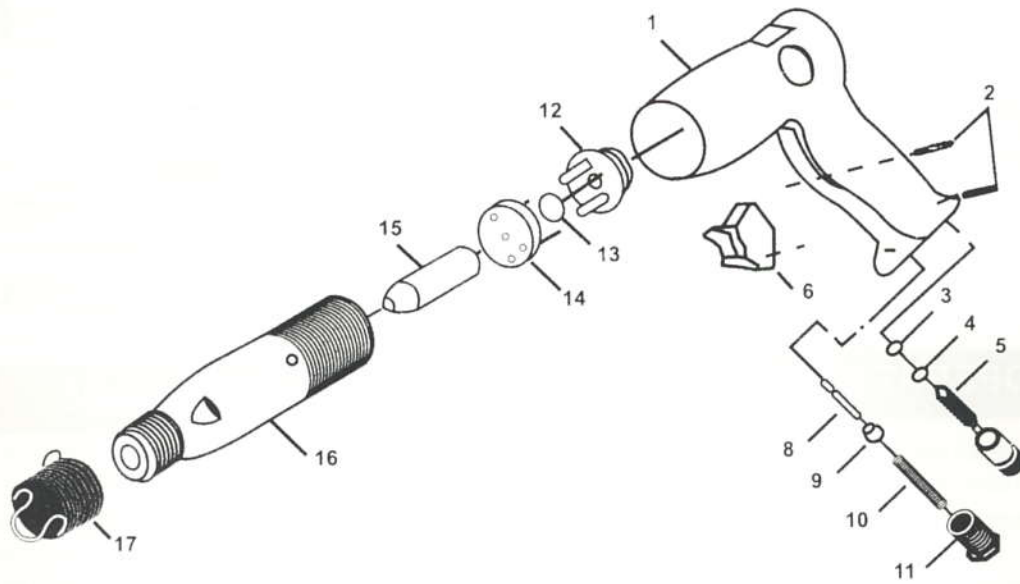
**Recommended lubricants:** Use air tool oil or any other high grade turbine oil containing moisture absorbent, rust inhibitors, metal wetting agents and an EP (extreme pressure) additive. (See Fig. 2 for location/air inlet).

### CAUTION

*Never operate hammer without a chisel installed and placed against the work surface. Doing so may result in personal injury or damage to the tool.*

**Sears CRAFTSMAN Model 875.191190  
Pneumatic Air Hammer**

**Exploded View and Parts List**



Ref.	Description	Part No.	Ref.	Description	Part No.
1	Handle	9AH-15001	10	Spring	9AH-15010
2	Spring Pin (2)	9AH-15002	11	Air Inlet	9AH-15011
3	O-ring	9AH-15003	12	Upper Valve	9AH-15012
4	O-ring	9AH-15004	13	Valve Disc	9AH-15013
5	Air Regulator	9AH-15005	14	Lower Valve	9AH-15014
6	Trigger	9AH-15006	15	Piston	9AH-15015
8	Valve Stem	9AH-15008	16	Cylinder	9AH-15016
9	Valve	9AH-15009	17	Spring Retainer	9AH-15017

## Troubleshooting

Symptom	Possible Cause	Corrective Action
Tool runs slowly or will not operate	1. Grit or gum in tool	1. Flush the tool with air tool oil or gum solvent.
	2. No oil in tool	2. Lubricate the tool according to the lubrication instructions in this manual
	3. Low air pressure	3. a. Adjust the regulator on the tool to the maximum setting b. Adjust the compressor regulator to tool maximum of 90 psi.
	4. Air hose leaks	4. Tighten and seal hose fittings if leaks are found. Use teflon tape.
	5. Pressure drops	5. a. Be sure the hose is the proper size. Long hoses or tools using large volumes of air may require a hose with an I.D. of 1/2" or larger depending on the total length of the hose. b. Do not use a multiple number of hoses connected together with quick connect fittings. This causes additional pressure drops and reduces the tool power. Directly connect the hoses together
Moisture blowing out of tool exhaust	1. Water in tank	1. Drain tank. (See air compressor manual). Oil tool and run until no water is evident. Oil tool again and run 1-2 seconds

## Get it fixed, at your home or ours!

### Your Home

For repair - **in your home** - of **all** major brand appliances, lawn and garden equipment, or heating and cooling systems, **no matter who made it, no matter who sold it!**

For the replacement parts, accessories and owner's manuals that you need to do-it-yourself.

For Sears professional installation of home appliances and items like garage door openers and water heaters.

**1-800-MY-HOME® (1-800-469-4663)**

Call anytime, day or night (U.S.A. and Canada)

**www.sears.com**

**www.sears.ca**

### Our Home

For repair of carry-in items like vacuums, lawn equipment, and electronics, call or go on-line for the location of your nearest **Sears Parts & Repair Center.**

**1-800-488-1222**

Call anytime, day or night (U.S.A. only)

**www.sears.com**

To purchase a protection agreement on a product serviced by Sears:

**1-800-827-6655 (U.S.A.)**

**1-800-361-6665 (Canada)**

For after sale  
support and assistance

**1-800-290-9054**

# SEARS

® Registered Trademark / ™ Trademark / ™ Service Mark of Sears, Roebuck and Co.  
® Marca Registrada / ™ Marca de Fábrica / ™ Marca de Servicio de Sears, Roebuck and Co.  
MC Marque de commerce / MD Marque déposée de Sears, Roebuck and Co.

© Sears, Roebuck and Co.